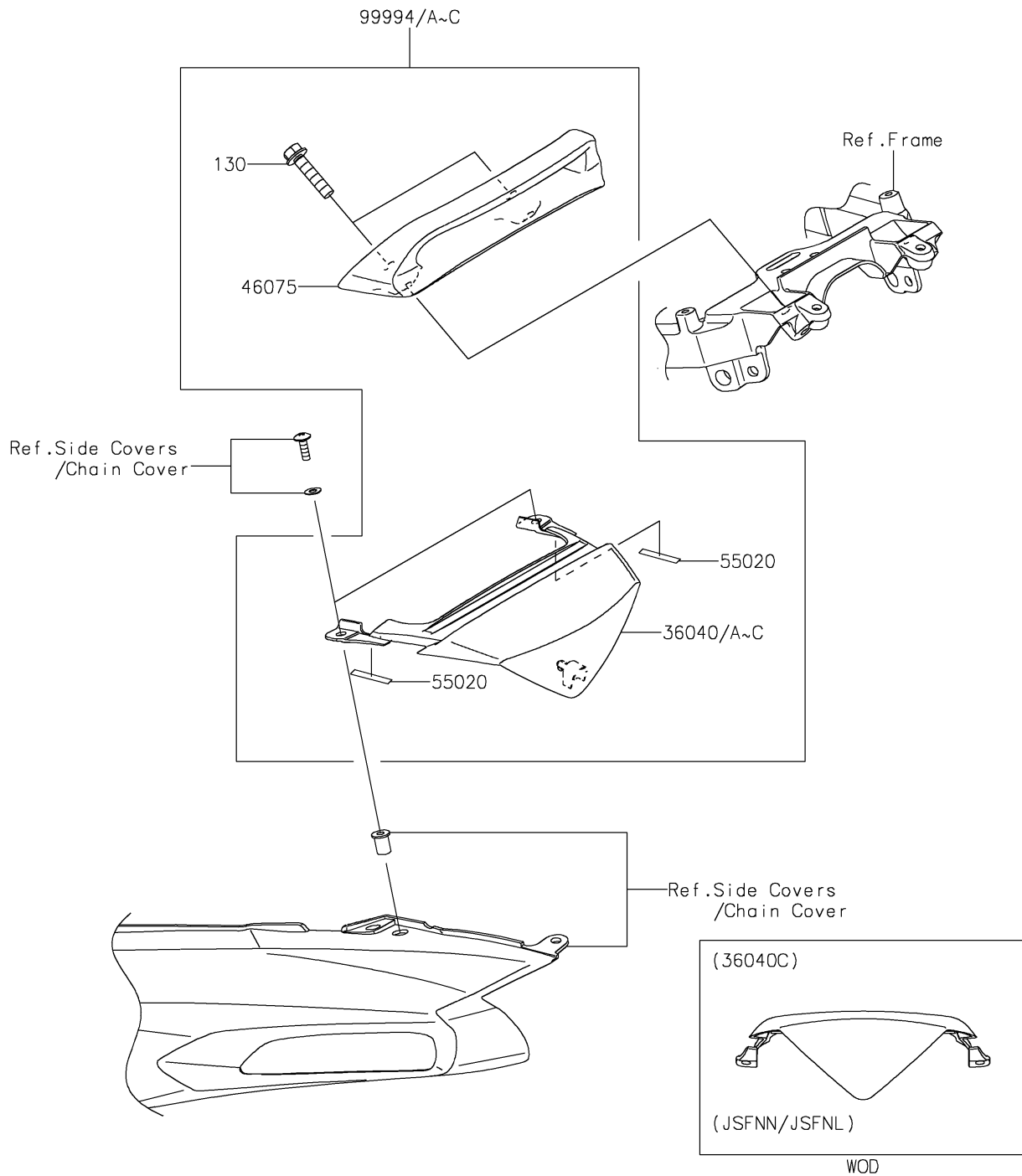


# 2023 NINJA® ZX™-14R ABS

## PARTS DIAGRAM Accessory(Tail Grip)

F2910



# 2023 NINJA® ZX™-14R ABS

## PARTS LIST

Accessory(Tail Grip)

**ITEM NAME**

**PART NUMBER**

**QUANTITY**

---