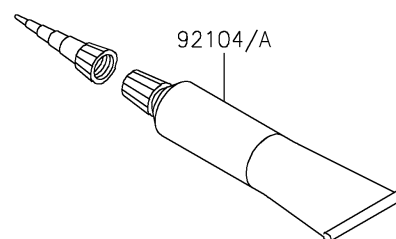
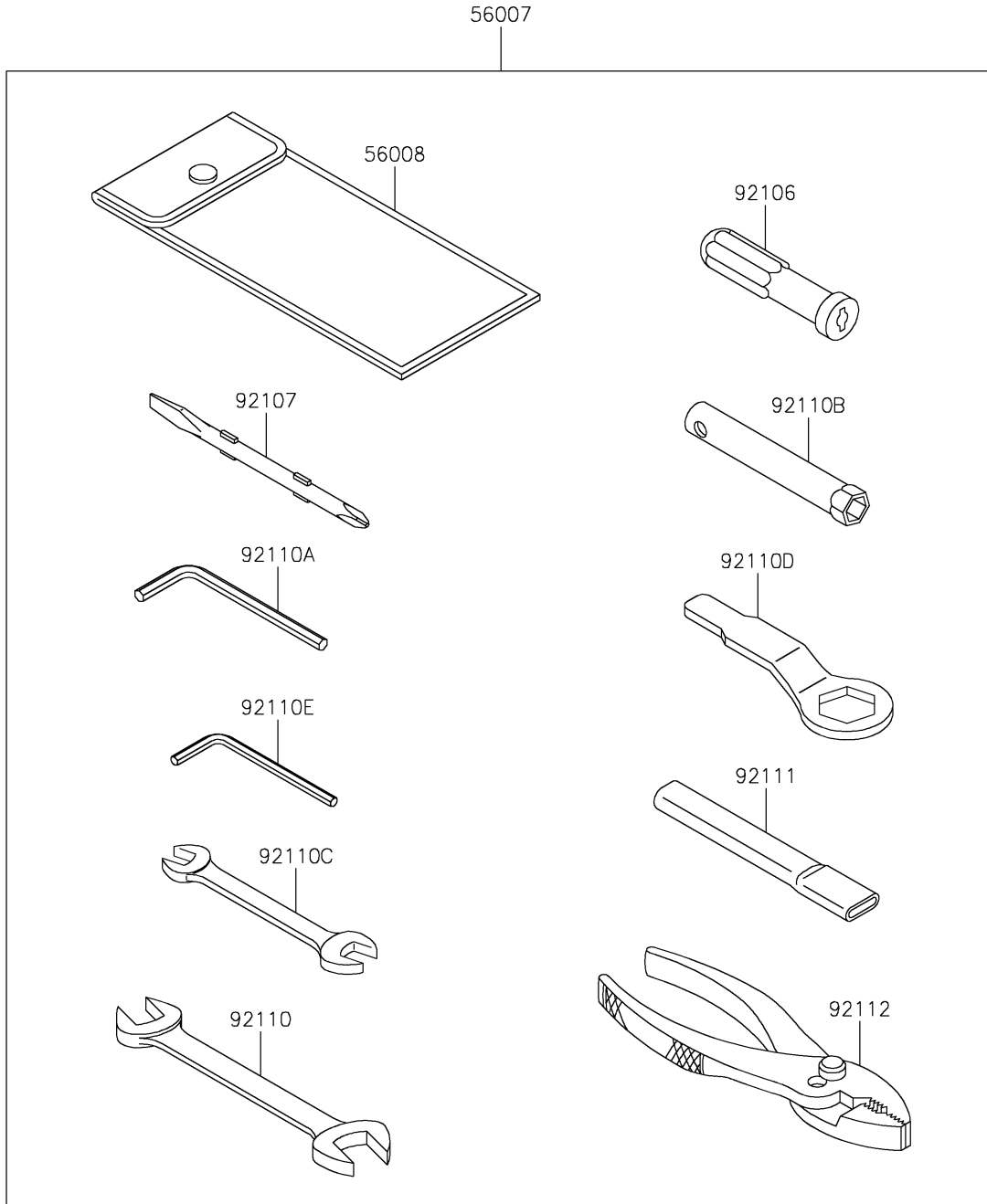


# 2024 Ninja ZX-14R ABS SE

## PARTS DIAGRAM

### Owner's Tools

F2810



# 2024 Ninja ZX-14R ABS SE

## PARTS LIST

### Owner's Tools

**ITEM NAME**

**PART NUMBER**

**QUANTITY**

---