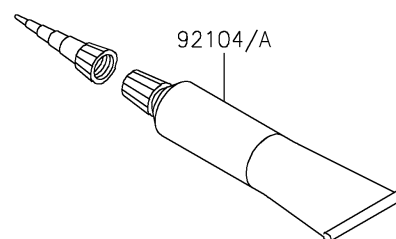
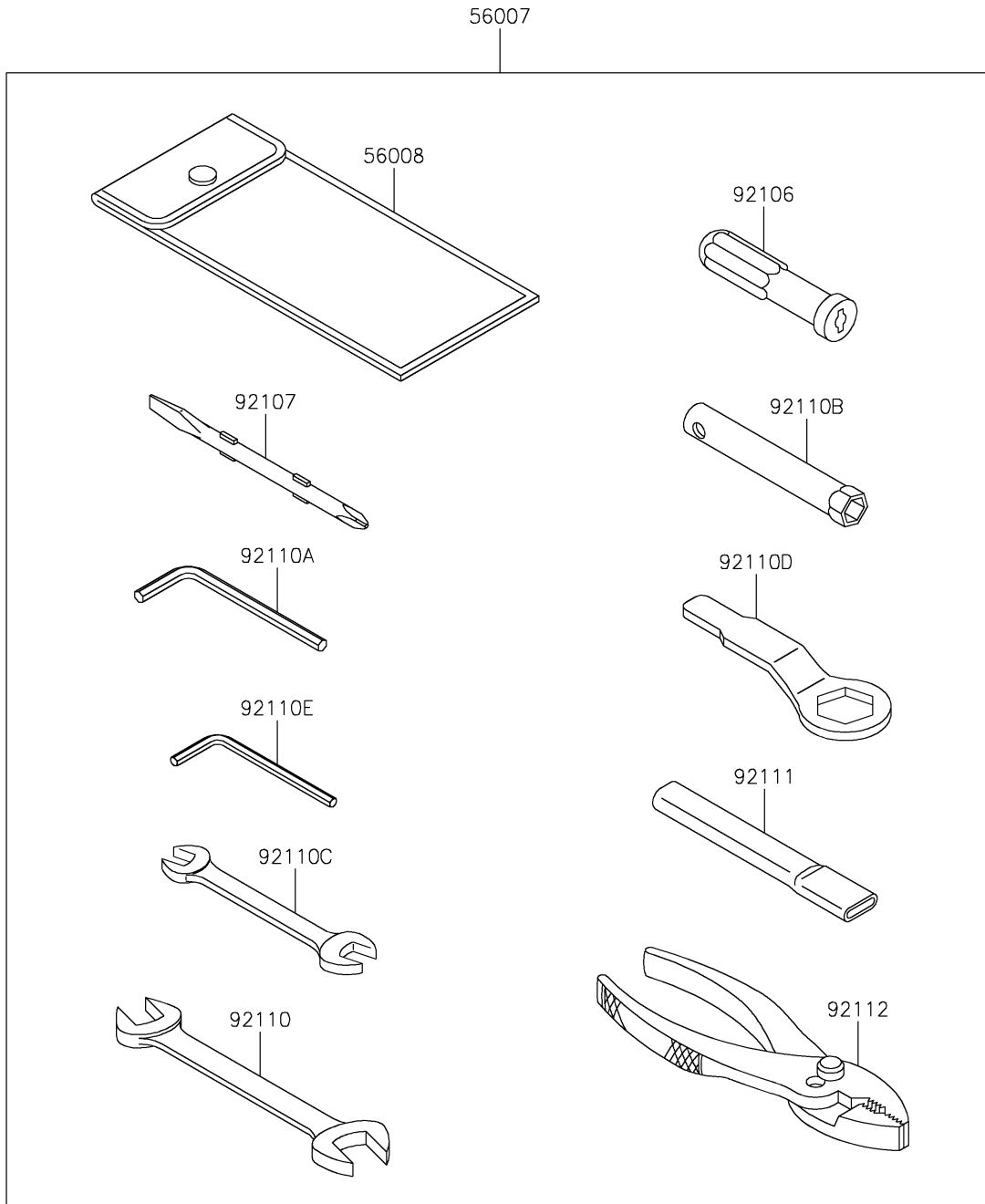


# 2023 NINJA® ZX™-14R ABS

## PARTS DIAGRAM

### Owner's Tools

F2810



# 2023 NINJA<sup>®</sup> ZX<sup>™</sup>-14R ABS

## PARTS LIST

### Owner's Tools



**ITEM NAME**

**PART NUMBER**

**QUANTITY**

---