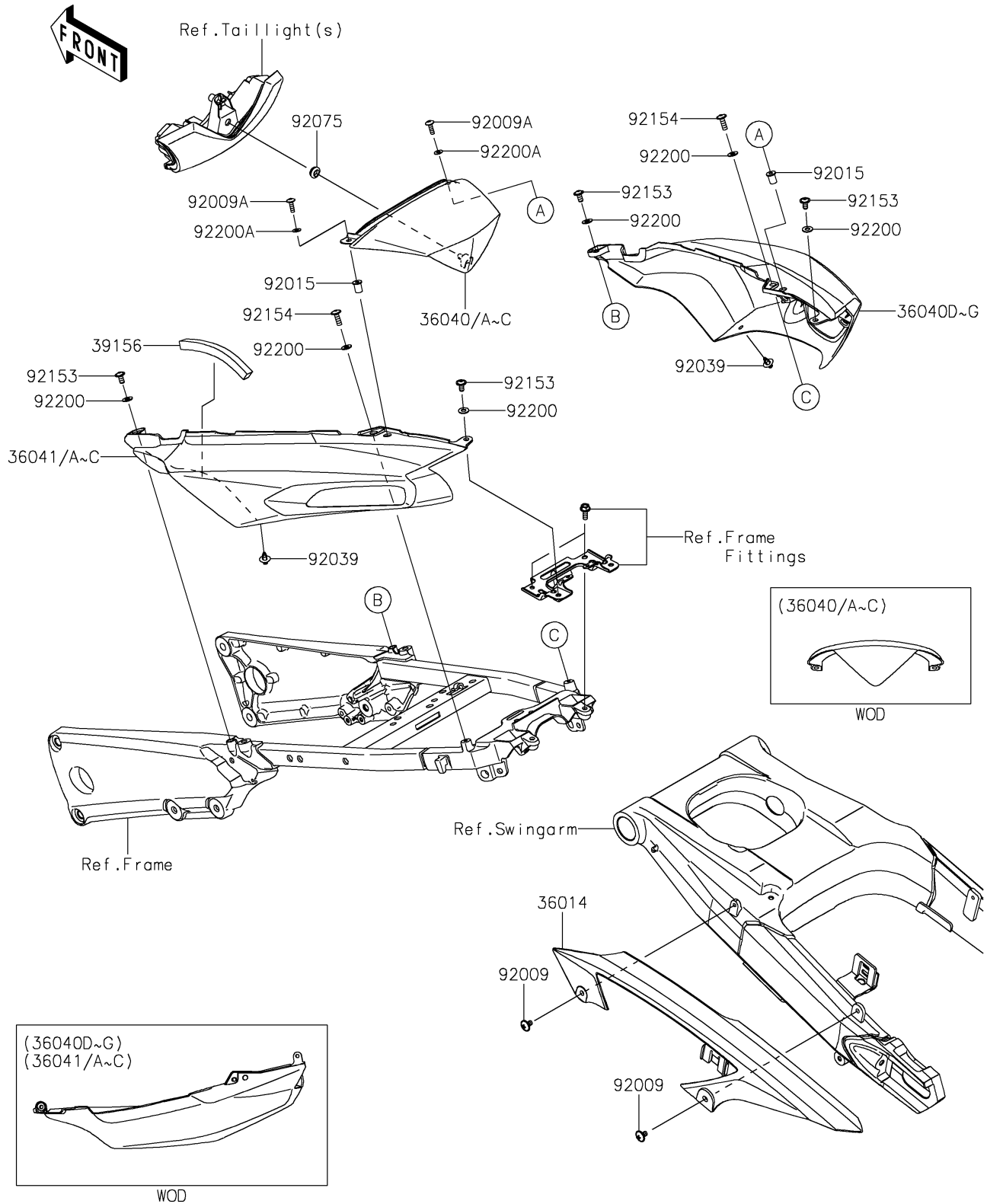


2023 NINJA® ZX™-14R ABS

PARTS DIAGRAM

Side Covers/Chain Cover

F2610



2023 NINJA® ZX™-14R ABS

PARTS LIST

Side Covers/Chain Cover

ITEM NAME	PART NUMBER	QUANTITY
-----------	-------------	----------
