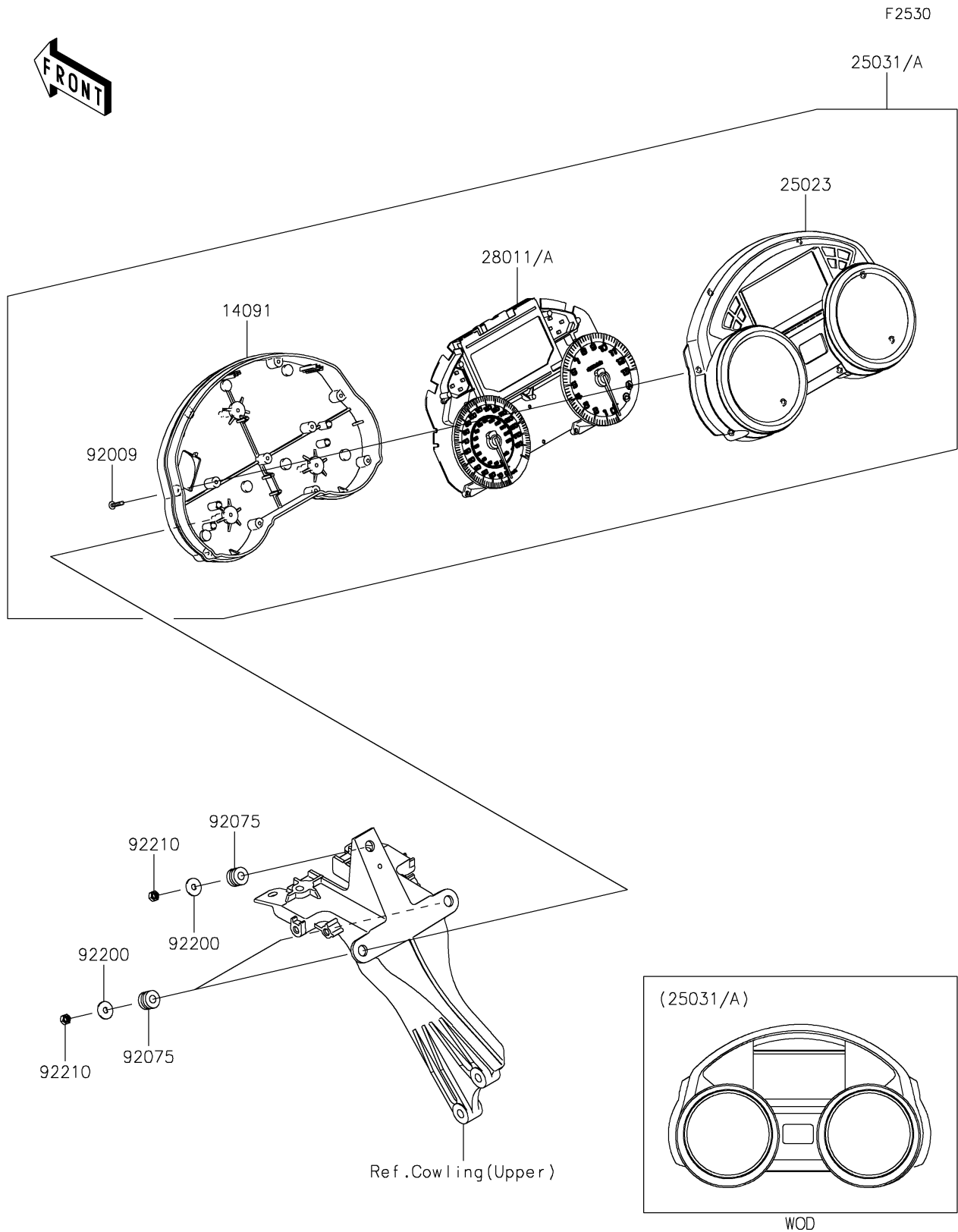


2023 NINJA® ZX™-14R ABS

PARTS DIAGRAM

Meter(s)



2023 NINJA® ZX™-14R ABS

PARTS LIST

Meter(s)

ITEM NAME	PART NUMBER	QUANTITY
-----------	-------------	----------
