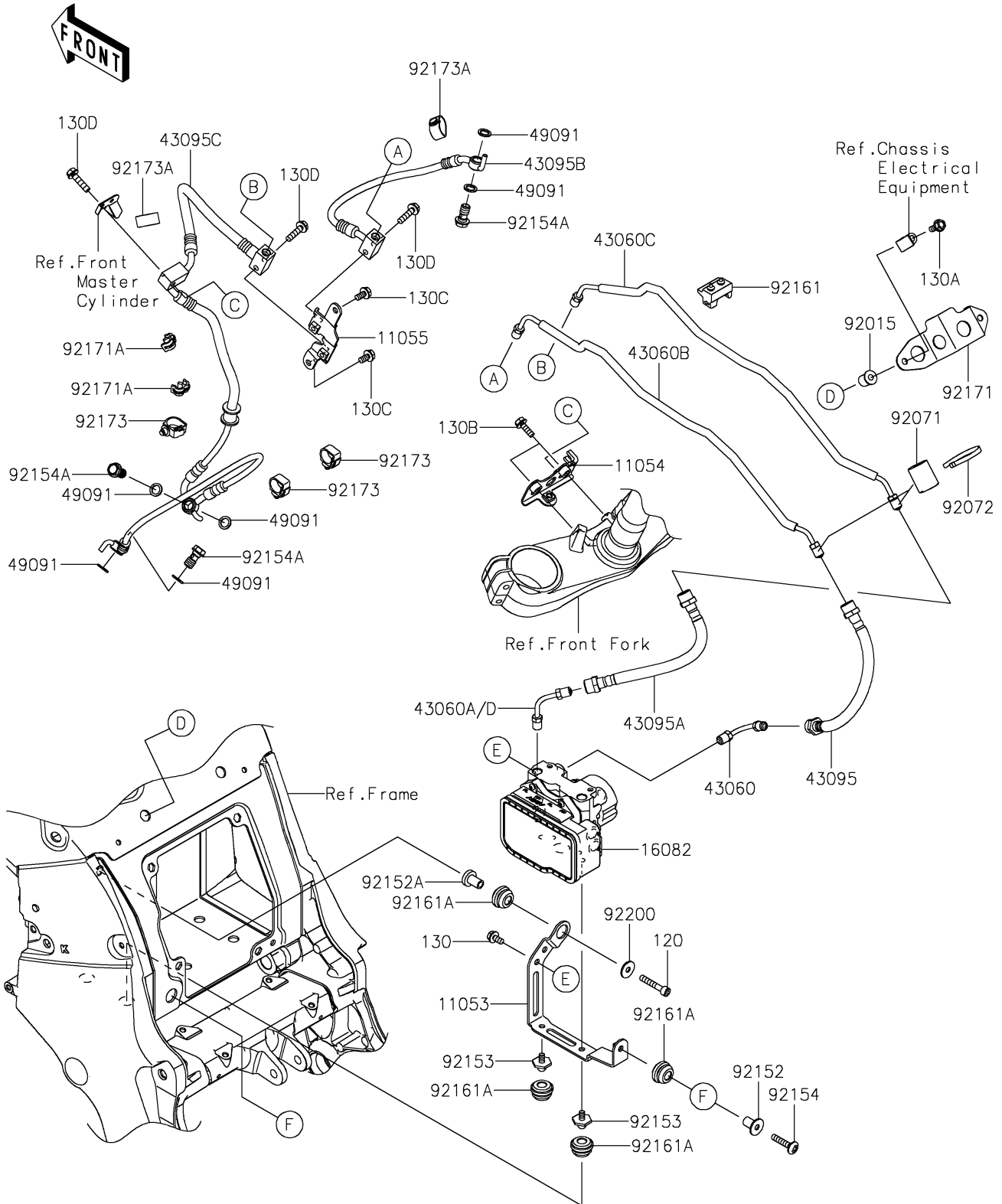


2023 NINJA® ZX™-14R ABS

PARTS DIAGRAM

Brake Piping

F2262



2023 NINJA[®] ZX[™]-14R ABS

PARTS LIST

Brake Piping

ITEM NAME	PART NUMBER	QUANTITY
-----------	-------------	----------
