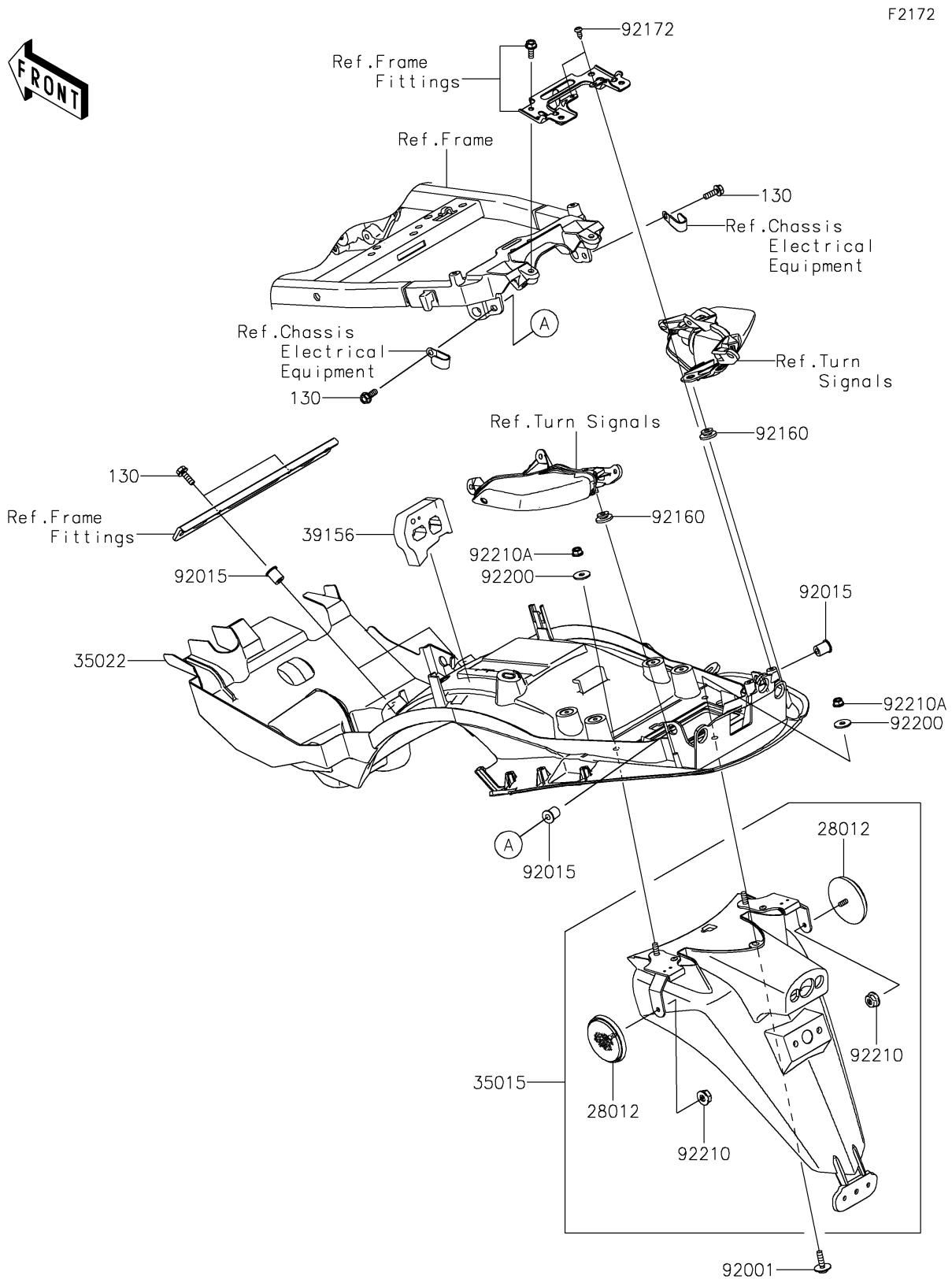


# 2023 NINJA® ZX™-14R ABS

## PARTS DIAGRAM

### Rear Fender(s)



# 2023 NINJA® ZX™-14R ABS

## PARTS LIST

Rear Fender(s)

ITEM NAME	PART NUMBER	QUANTITY
-----------	-------------	----------

---