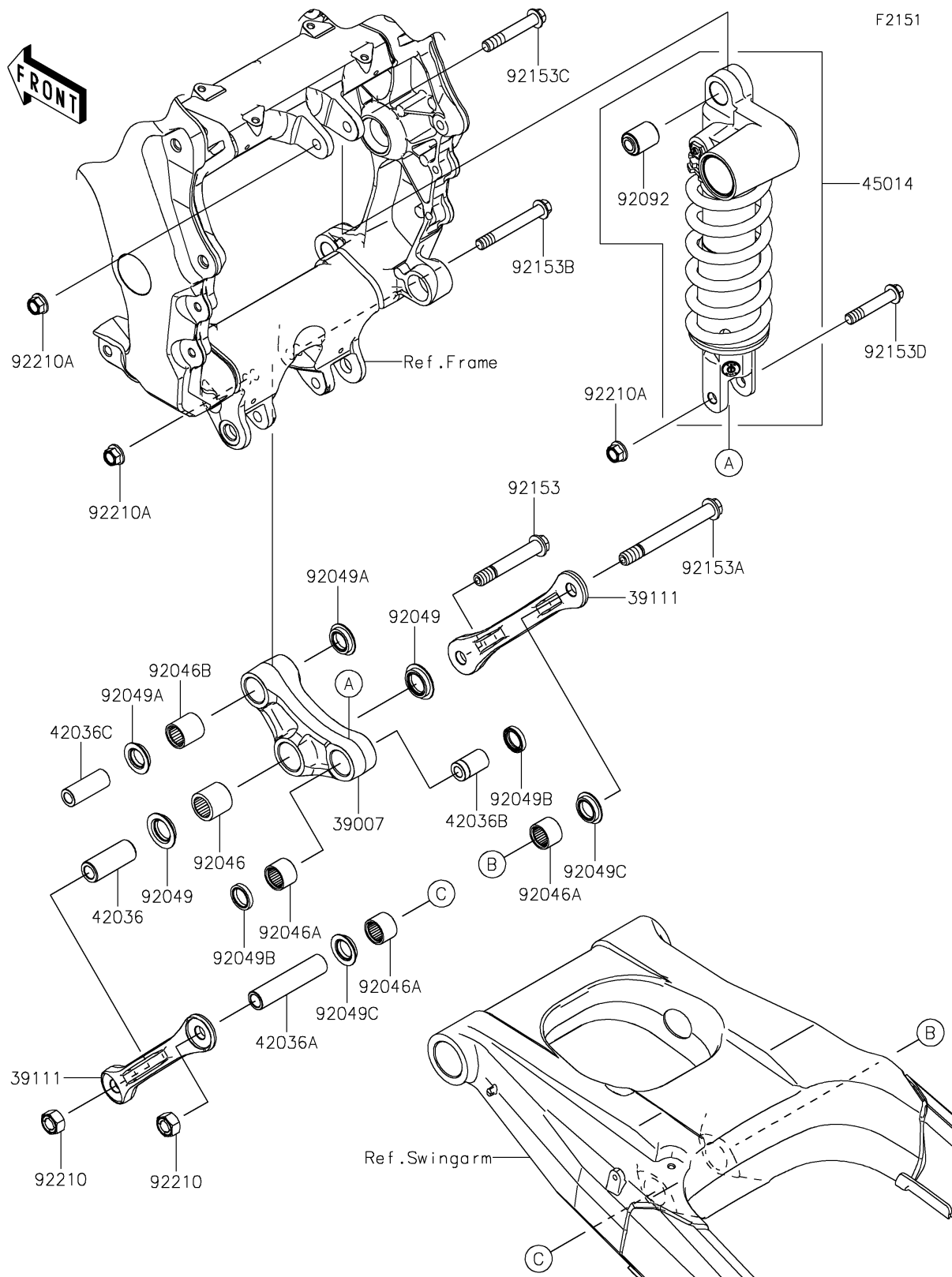


# 2023 NINJA® ZX™-14R ABS

## PARTS DIAGRAM

### Suspension/Shock Absorber



# 2023 NINJA<sup>®</sup> ZX<sup>™</sup>-14R ABS

## PARTS LIST

### Suspension/Shock Absorber

ITEM NAME	PART NUMBER	QUANTITY
-----------	-------------	----------

---