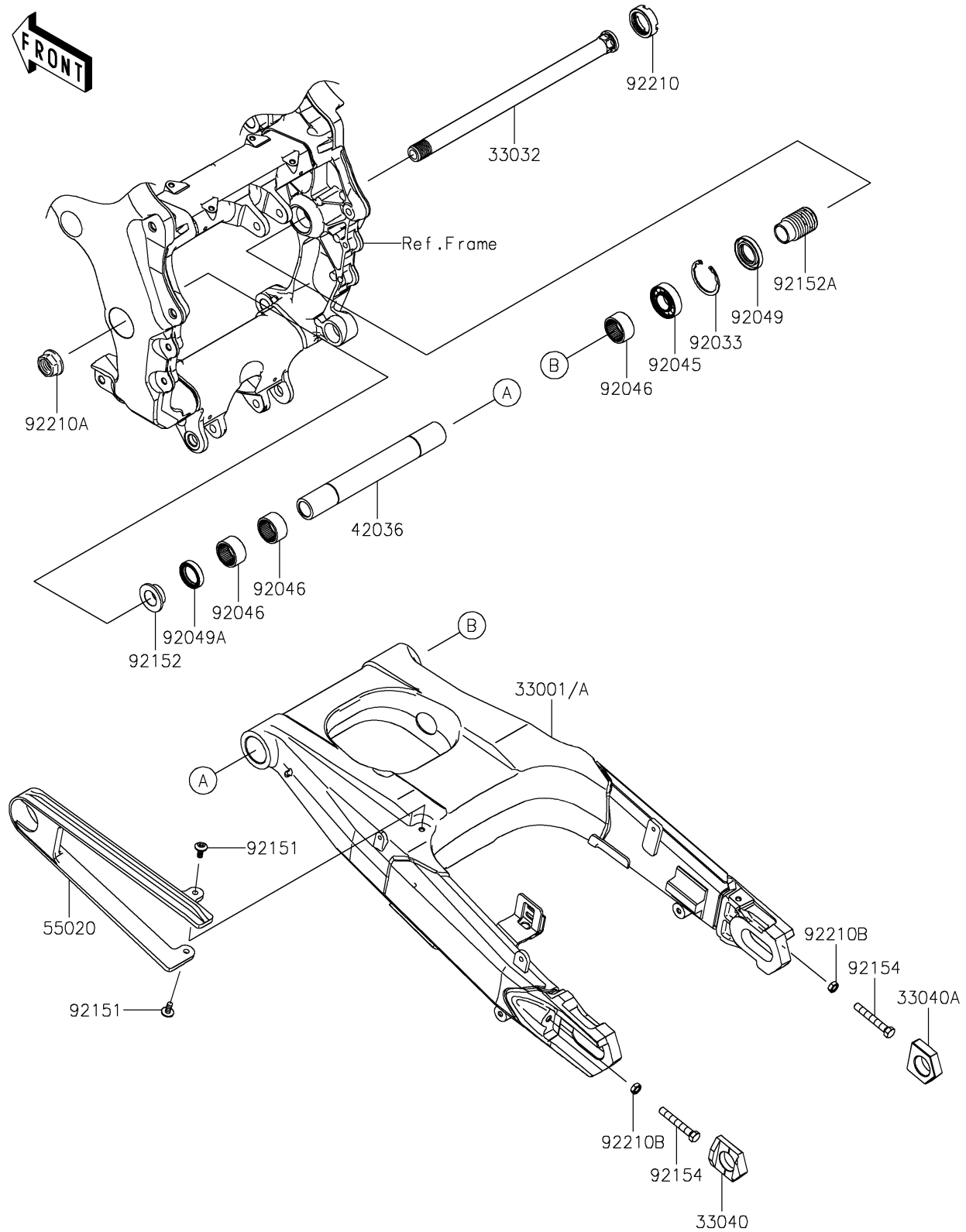


2023 NINJA® ZX™-14R ABS

PARTS DIAGRAM

Swingarm

F2141



2023 NINJA[®] ZX[™]-14R ABS

PARTS LIST

Swingarm

ITEM NAME	PART NUMBER	QUANTITY
-----------	-------------	----------
