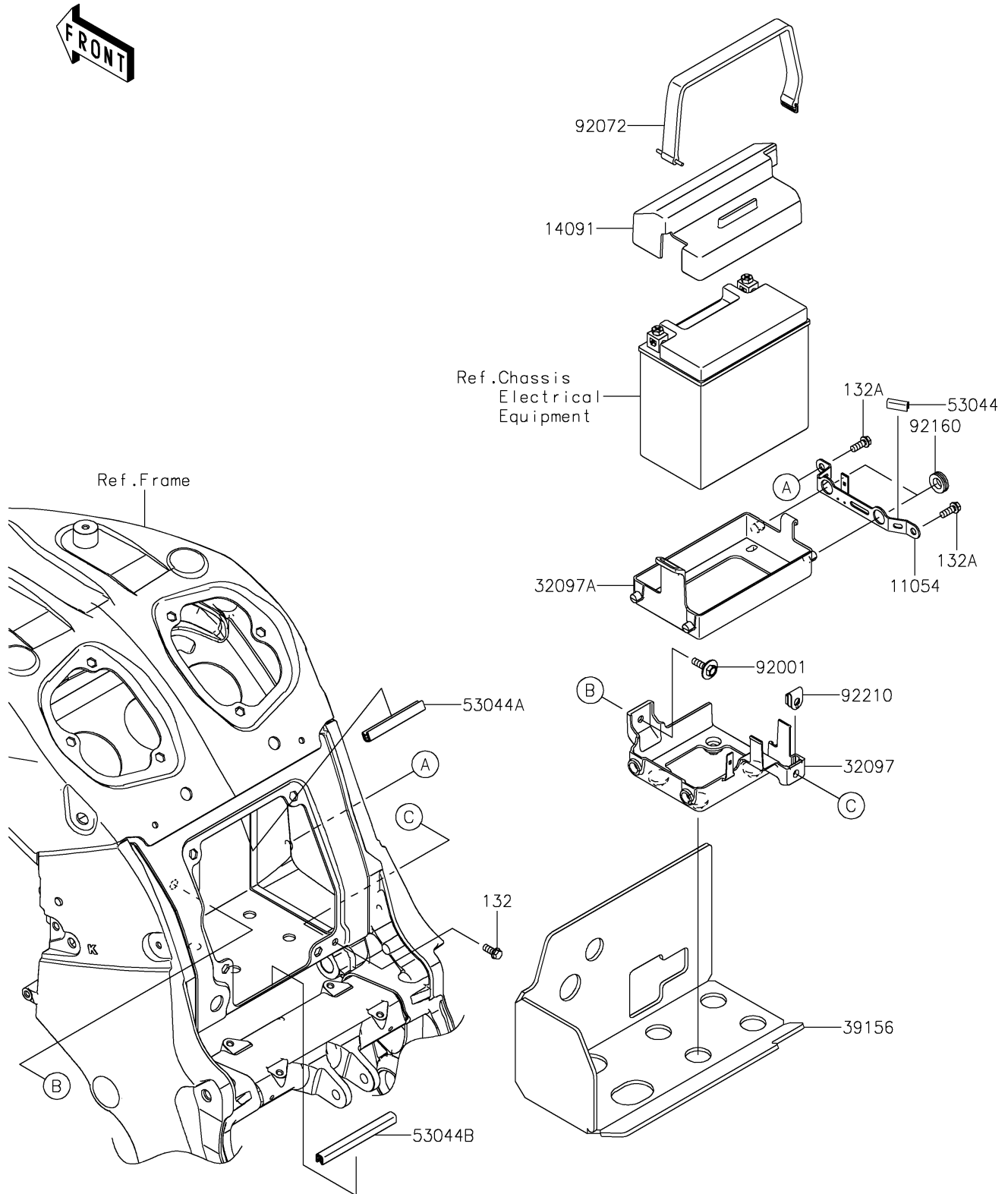


2024 Ninja ZX-14R ABS SE

PARTS DIAGRAM

Battery Case

F2132



2024 Ninja ZX-14R ABS SE

PARTS LIST

Battery Case

ITEM NAME

PART NUMBER

QUANTITY
