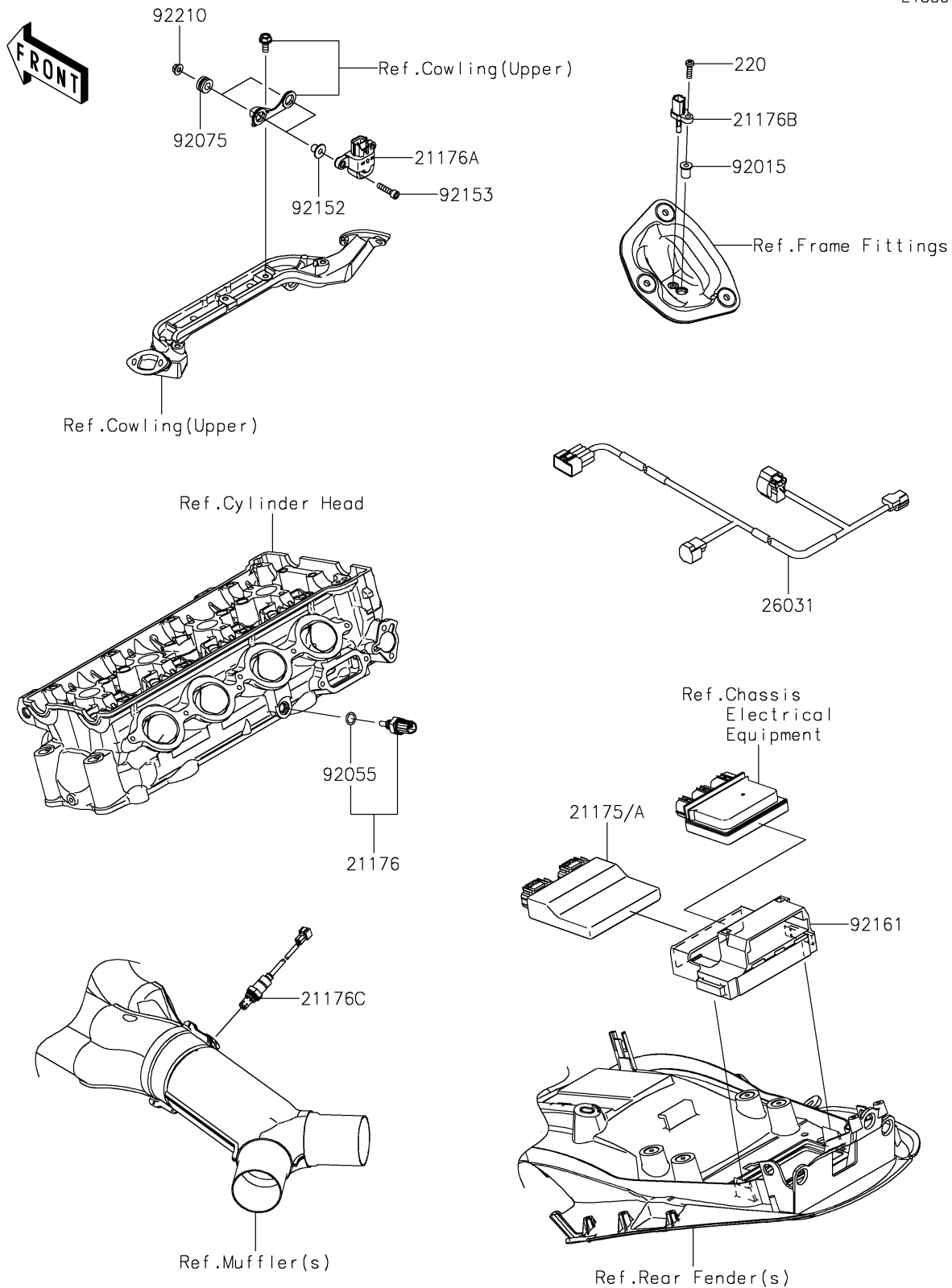


# 2023 NINJA® ZX™-14R ABS

## PARTS DIAGRAM

### Fuel Injection

E1530



# 2023 NINJA<sup>®</sup> ZX<sup>™</sup>-14R ABS

## PARTS LIST

### Fuel Injection

ITEM NAME	PART NUMBER	QUANTITY
-----------	-------------	----------

---