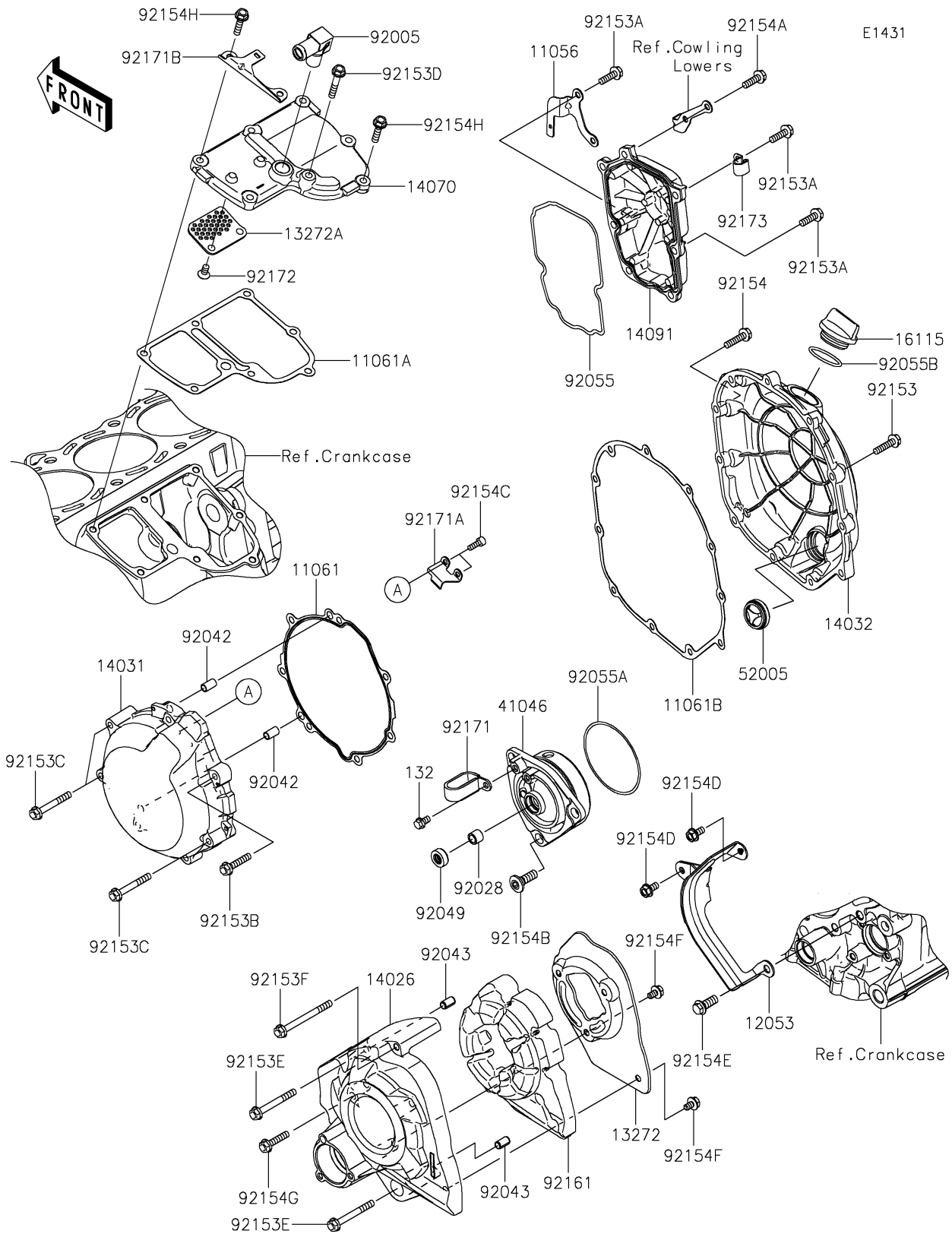


# 2023 NINJA® ZX™-14R ABS

## PARTS DIAGRAM

### Engine Cover(s)



# 2023 NINJA® ZX™-14R ABS

## PARTS LIST

### Engine Cover(s)

ITEM NAME	PART NUMBER	QUANTITY
-----------	-------------	----------

---