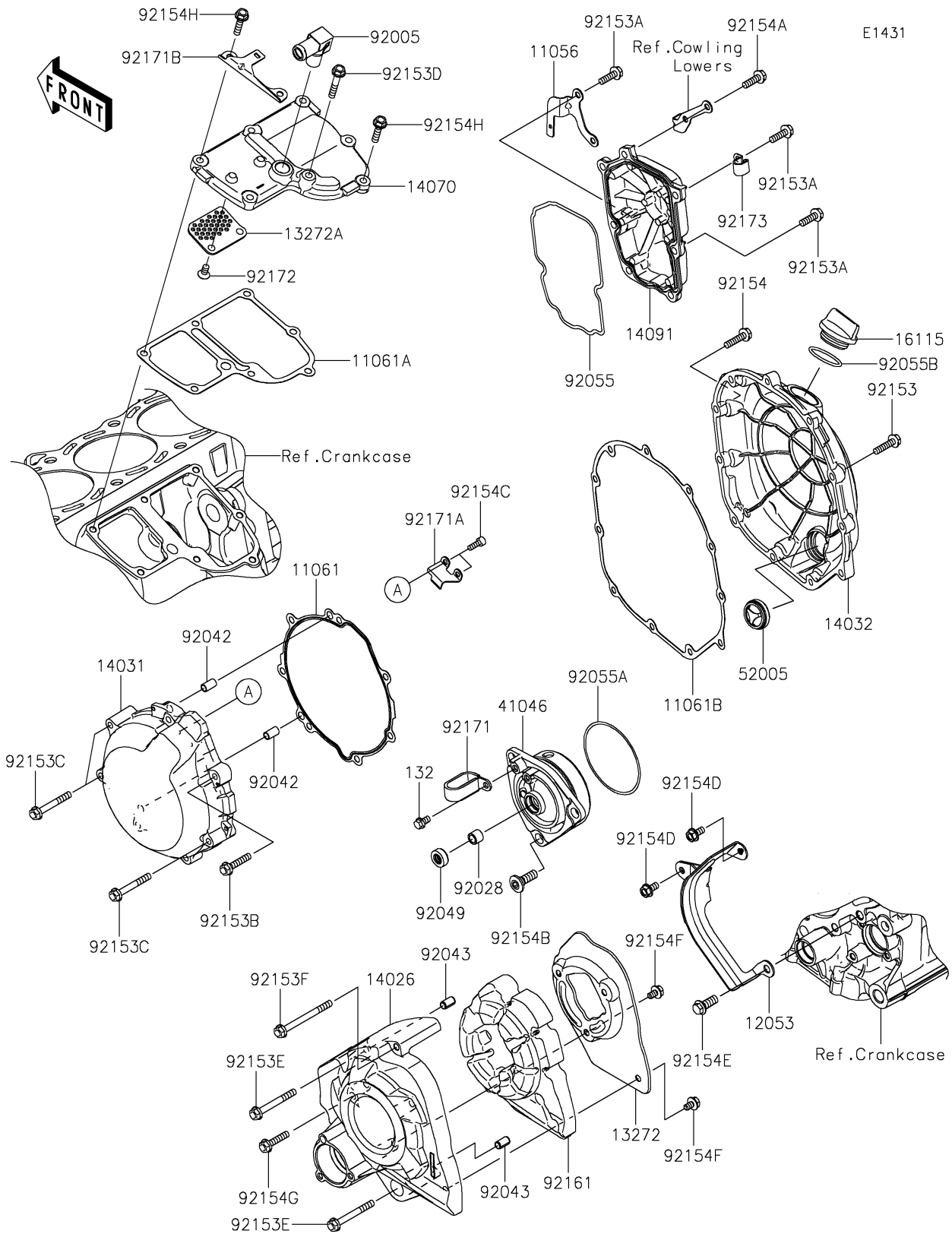


2022 NINJA® ZX™-14R ABS

PARTS DIAGRAM

Engine Cover(s)



2022 NINJA® ZX™-14R ABS

PARTS LIST

Engine Cover(s)

ITEM NAME	PART NUMBER	QUANTITY
-----------	-------------	----------
