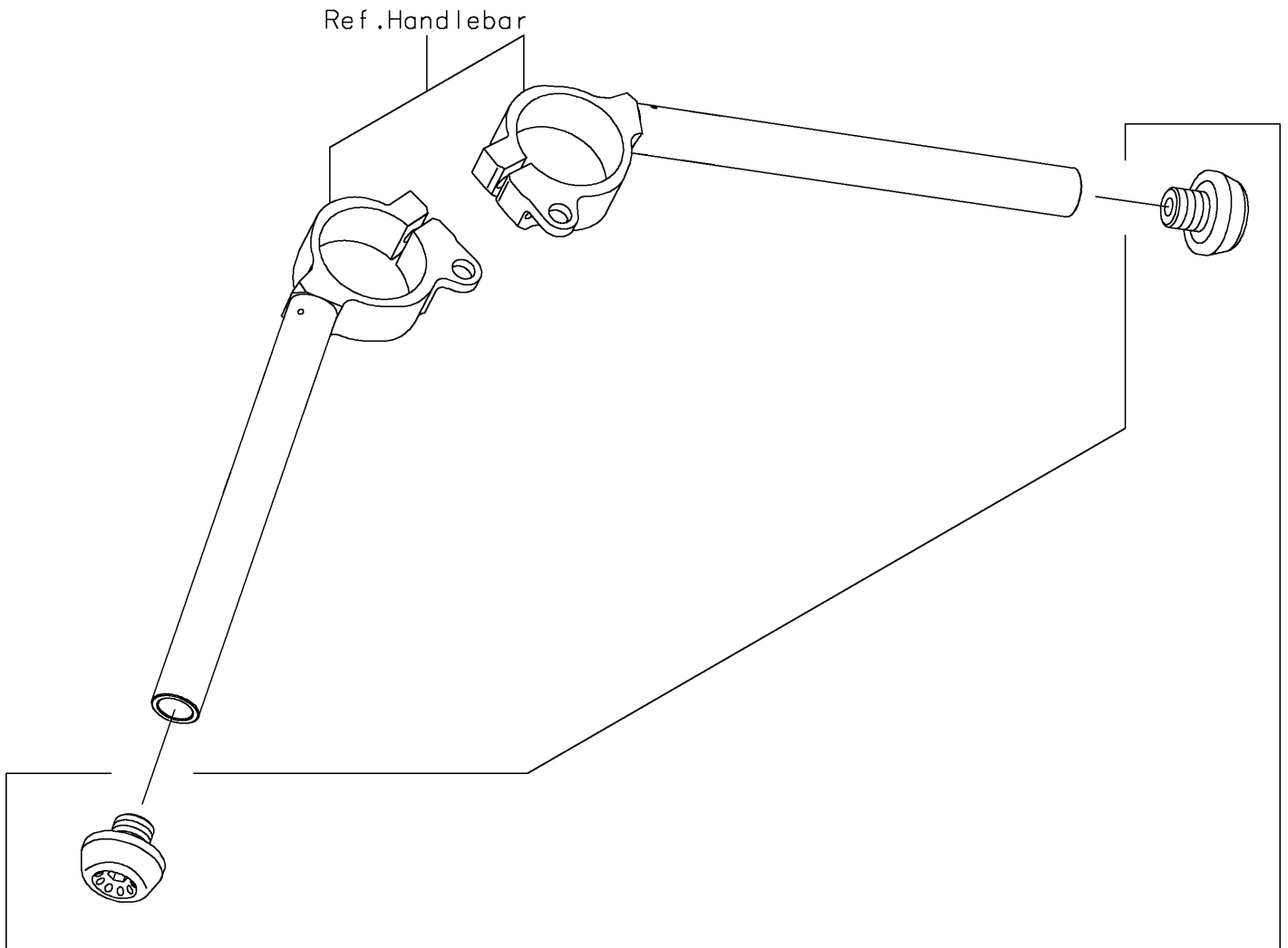


# 2025 NINJA H2<sup>®</sup>R ABS

## PARTS DIAGRAM

Accessory

F2910



99994

# 2025 NINJA H2<sup>®</sup>R ABS

## PARTS LIST

### Accessory

**ITEM NAME**

**PART NUMBER**

**QUANTITY**

---