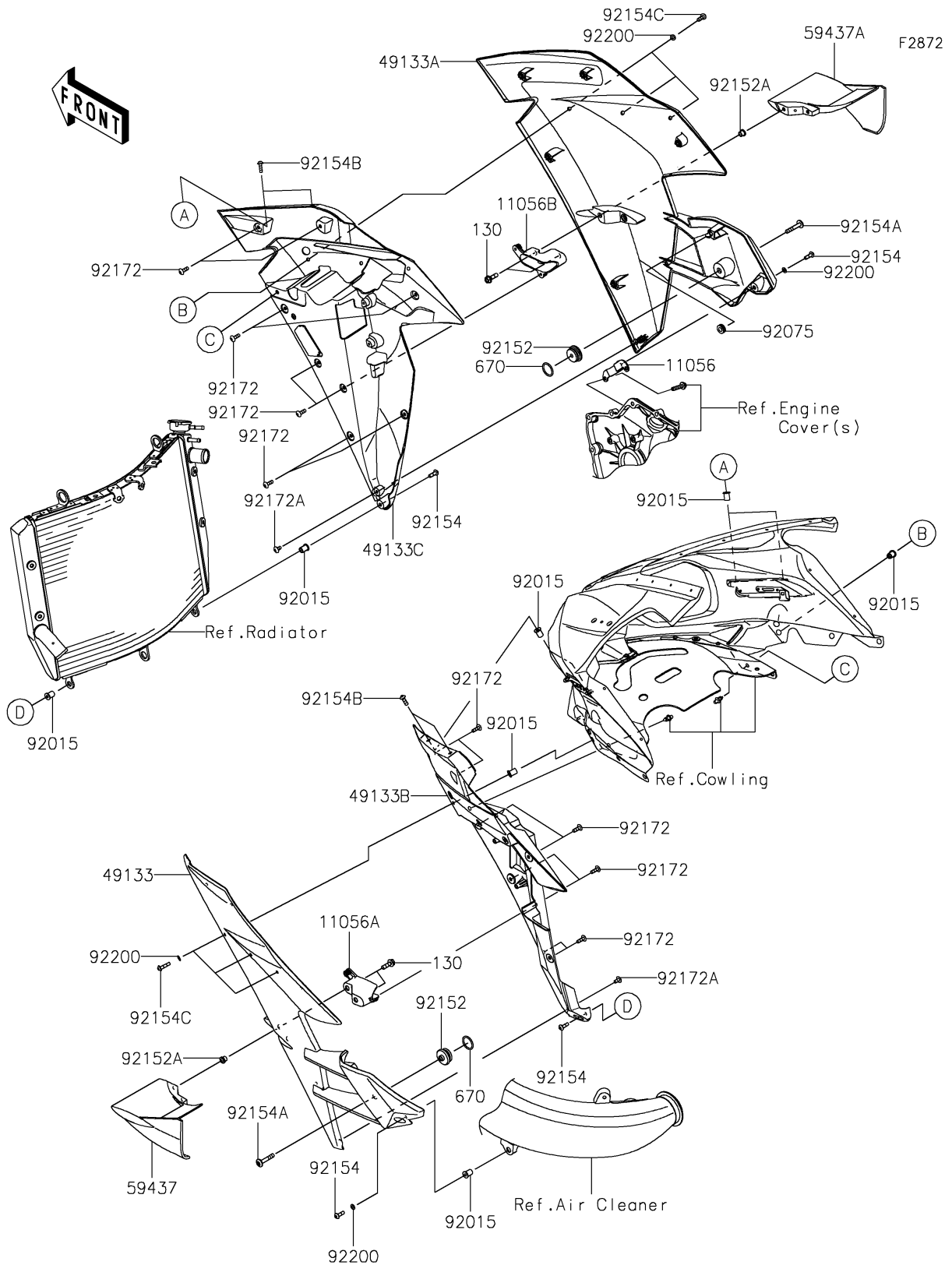


# 2024 NINJA H2<sup>®</sup>R ABS

## PARTS DIAGRAM

### Cowling Lower



# 2024 NINJA H2<sup>®</sup>R ABS

## PARTS LIST

### Cowling Lowers

**ITEM NAME**

**PART NUMBER**

**QUANTITY**

---