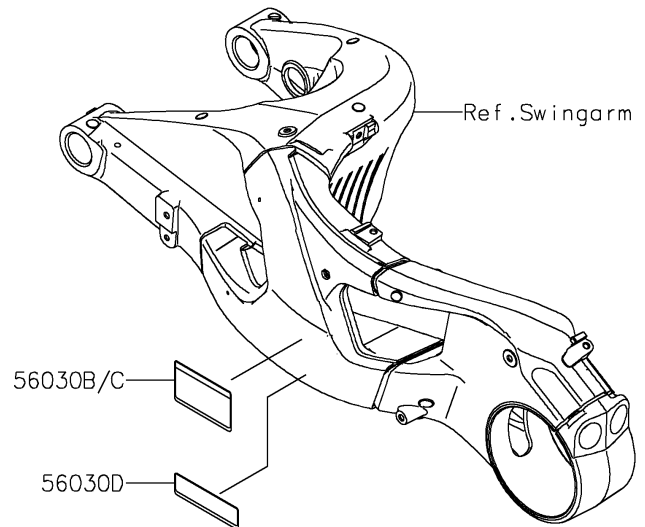
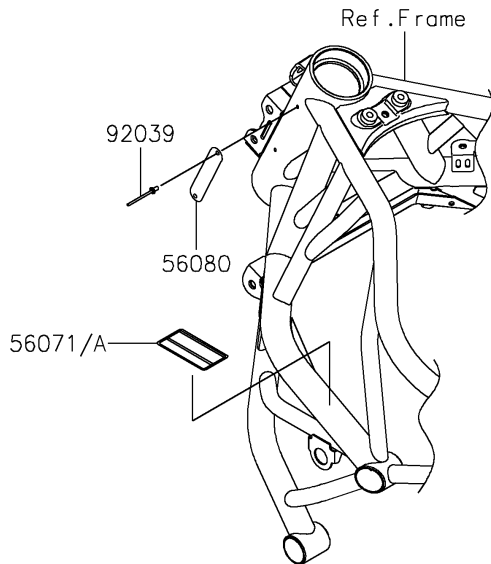
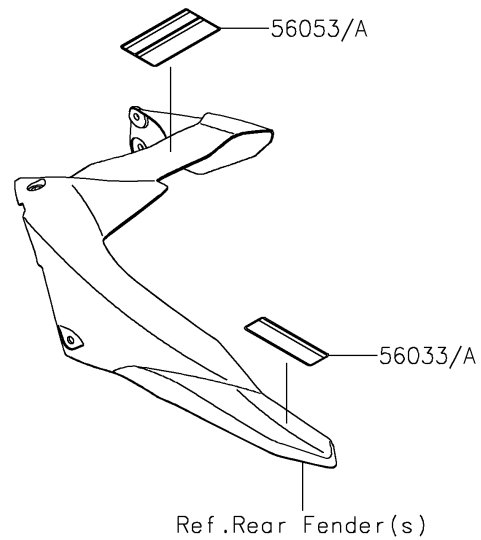
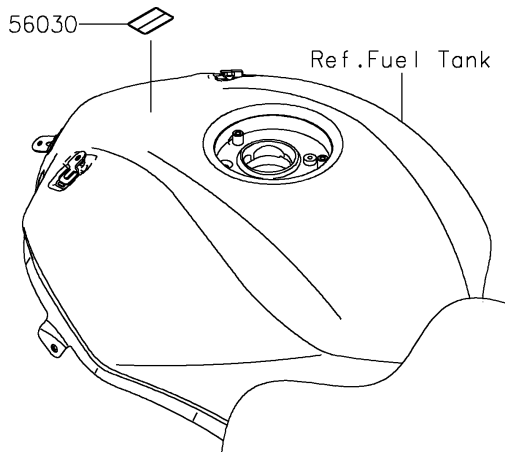
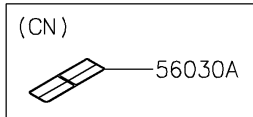


2025 NINJA H2[®]R ABS

PARTS DIAGRAM

Labels

F2860



2025 NINJA H2[®]R ABS

PARTS LIST

Labels

ITEM NAME

PART NUMBER

QUANTITY
