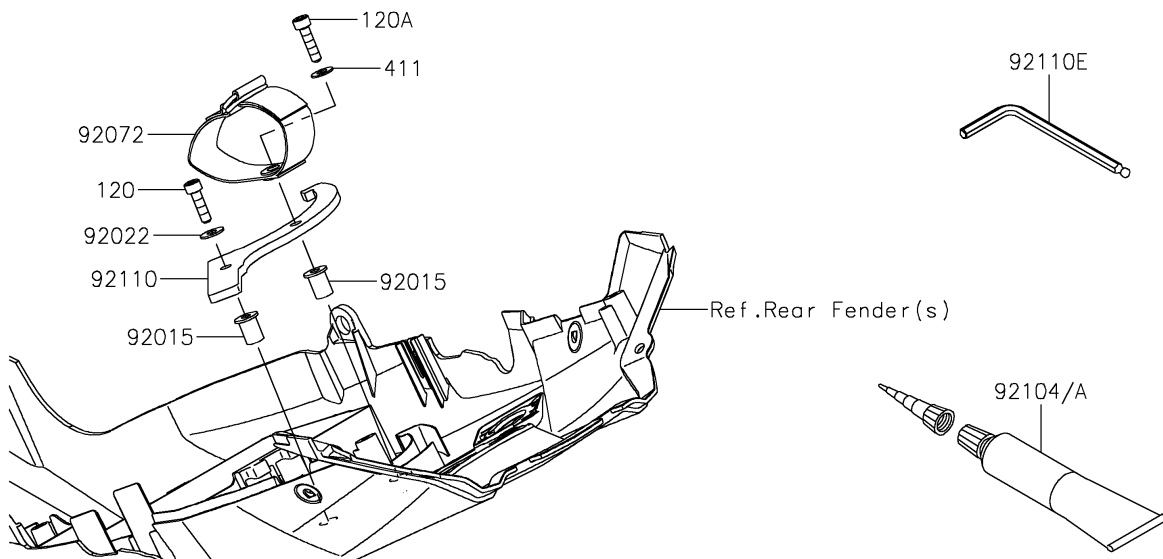
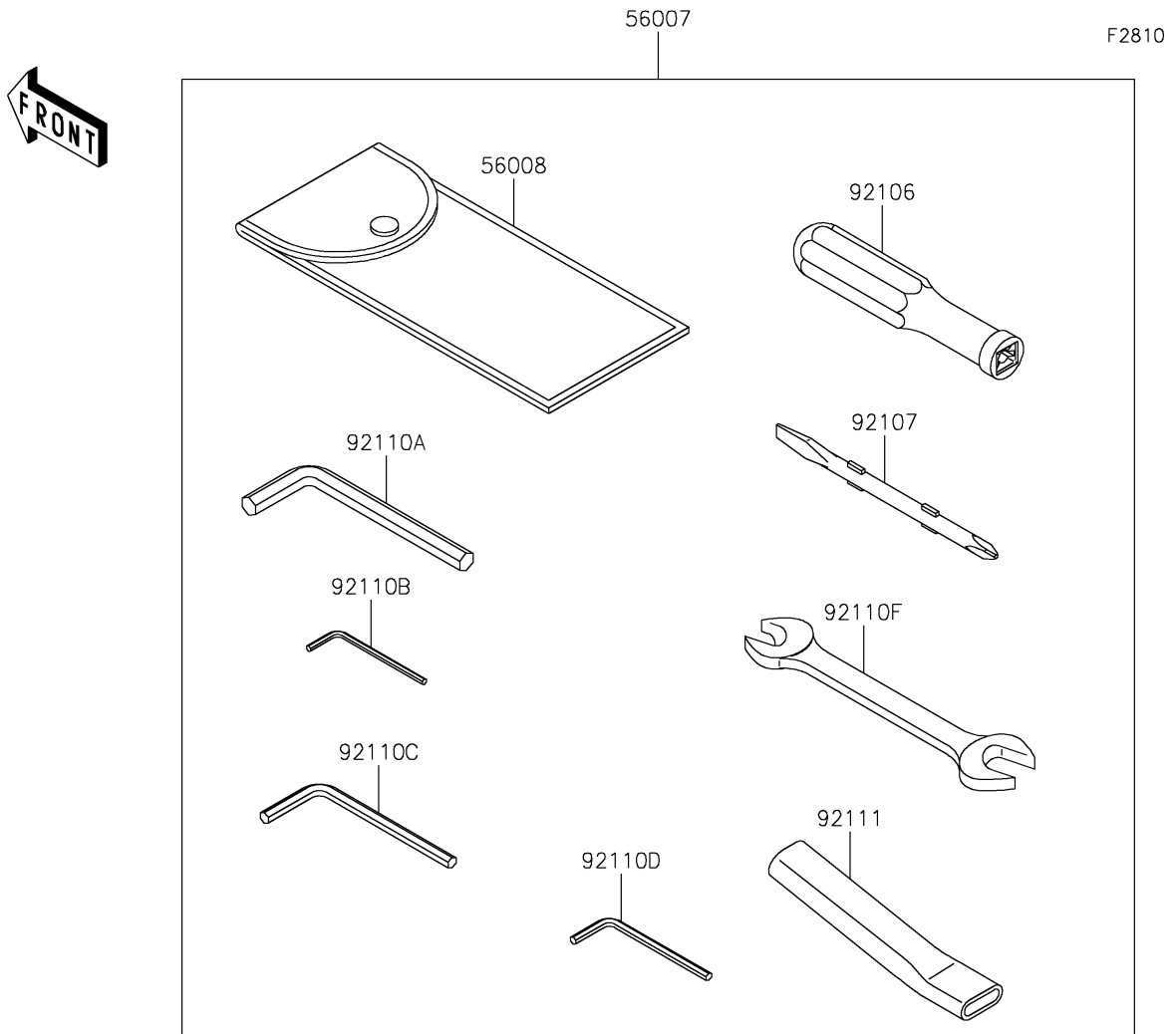


2025 NINJA H2[®]R ABS

PARTS DIAGRAM

Owner's Tools



2025 NINJA H2[®]R ABS

PARTS LIST

Owner's Tools

ITEM NAME

PART NUMBER

QUANTITY
