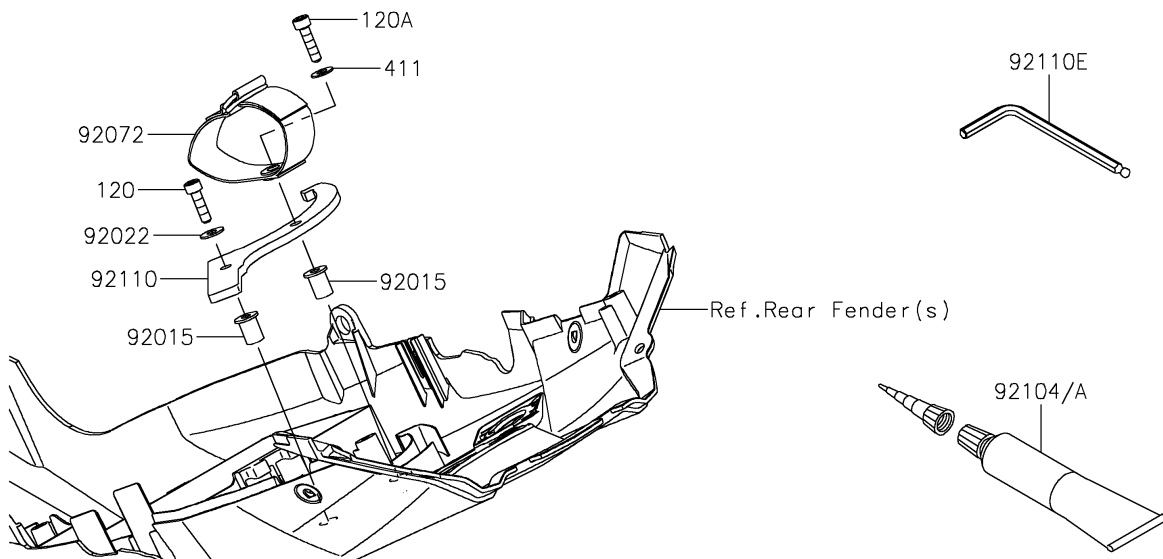
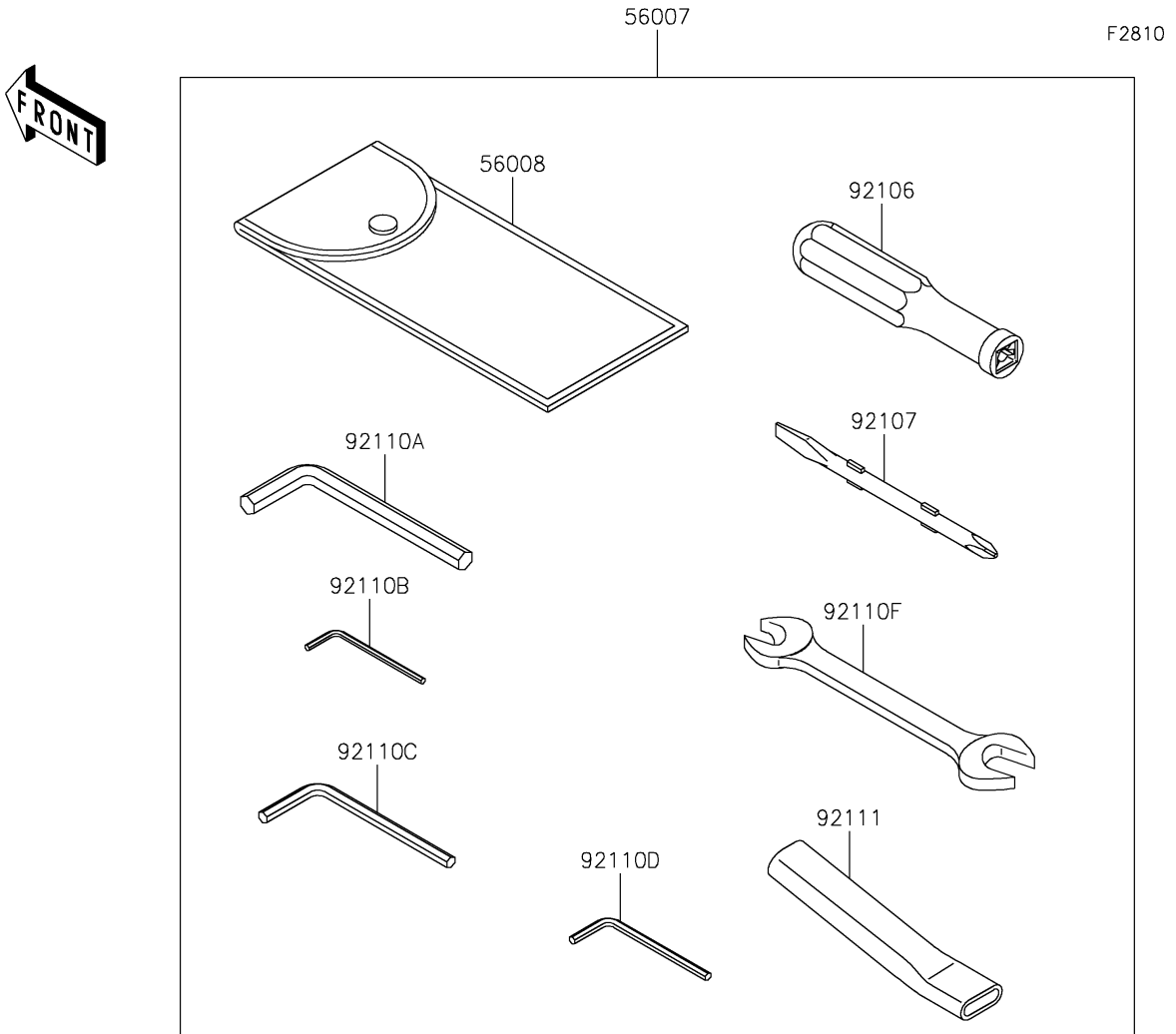


2023 NINJA H2[®]R

PARTS DIAGRAM

Owner's Tools



2023 NINJA H2[®] R

PARTS LIST

Owner's Tools



ITEM NAME	PART NUMBER	QUANTITY
-----------	-------------	----------
