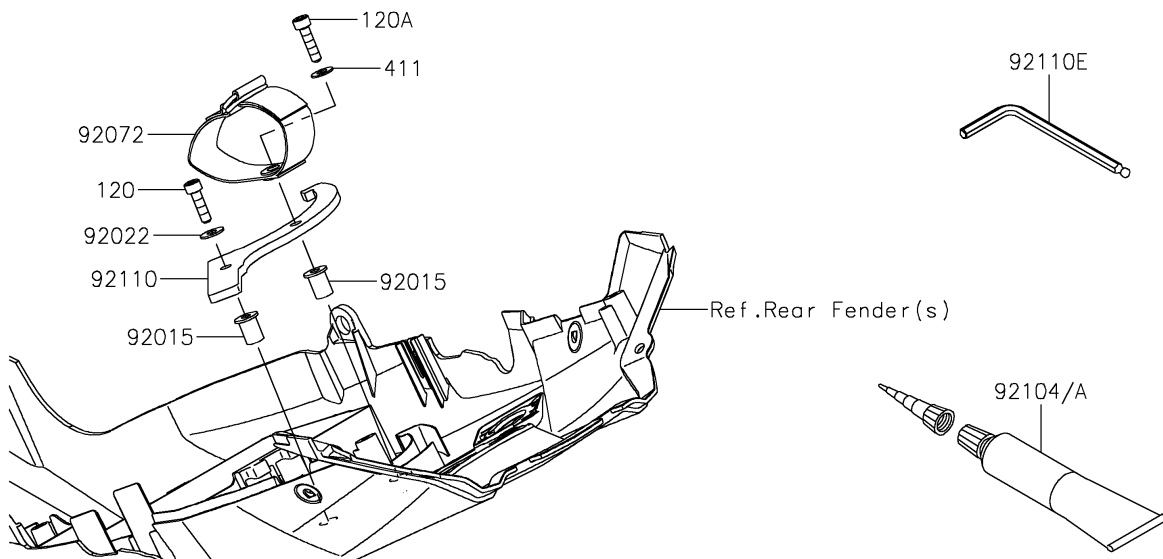
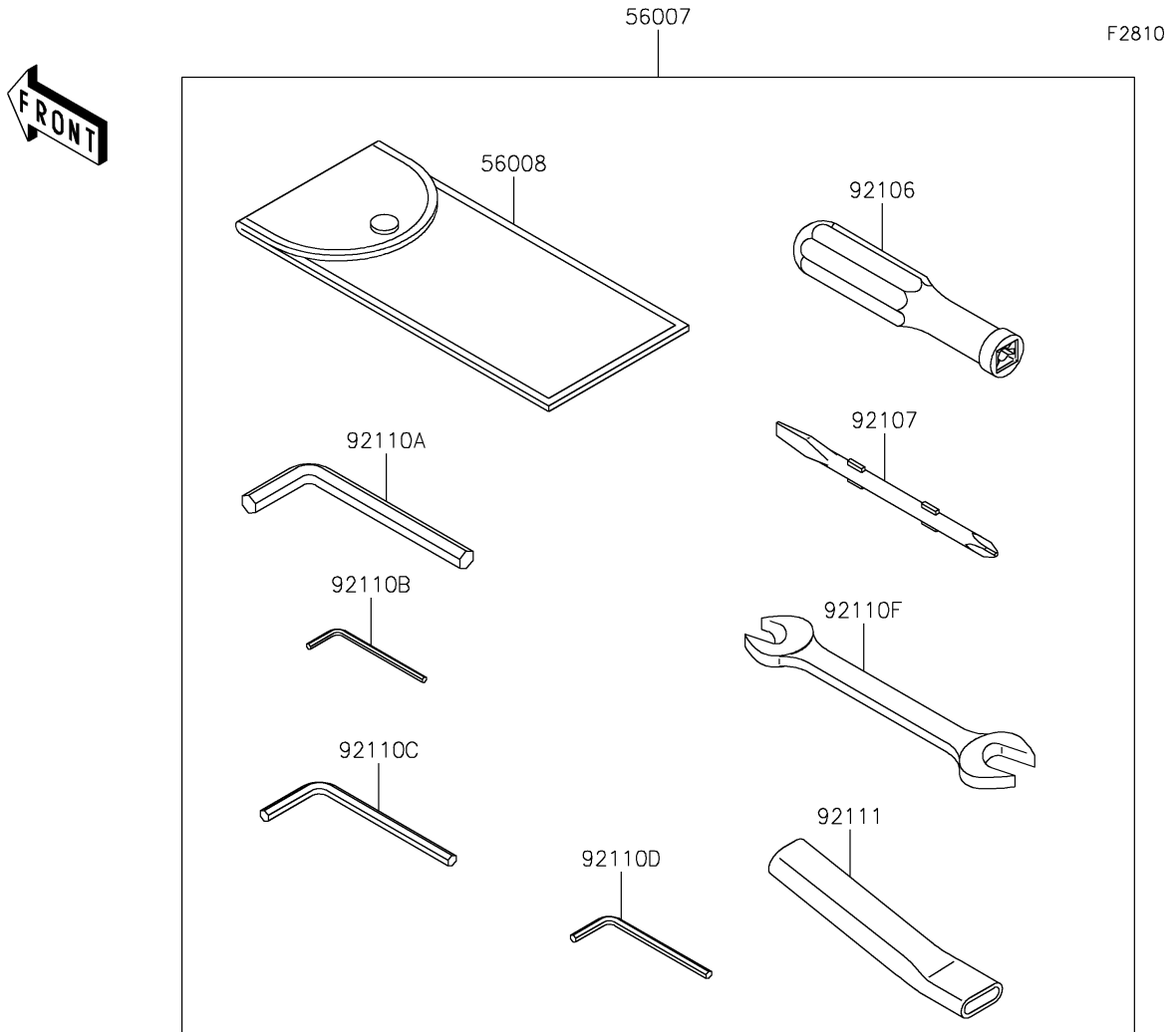


# 2021 NINJA H2®R

## PARTS DIAGRAM

### Owner's Tools



# 2021 NINJA H2<sup>®</sup>R

## PARTS LIST

### Owner's Tools

**Kawasaki**

Let the Good Times Roll<sup>®</sup>

**ITEM NAME**

**PART NUMBER**

**QUANTITY**

---