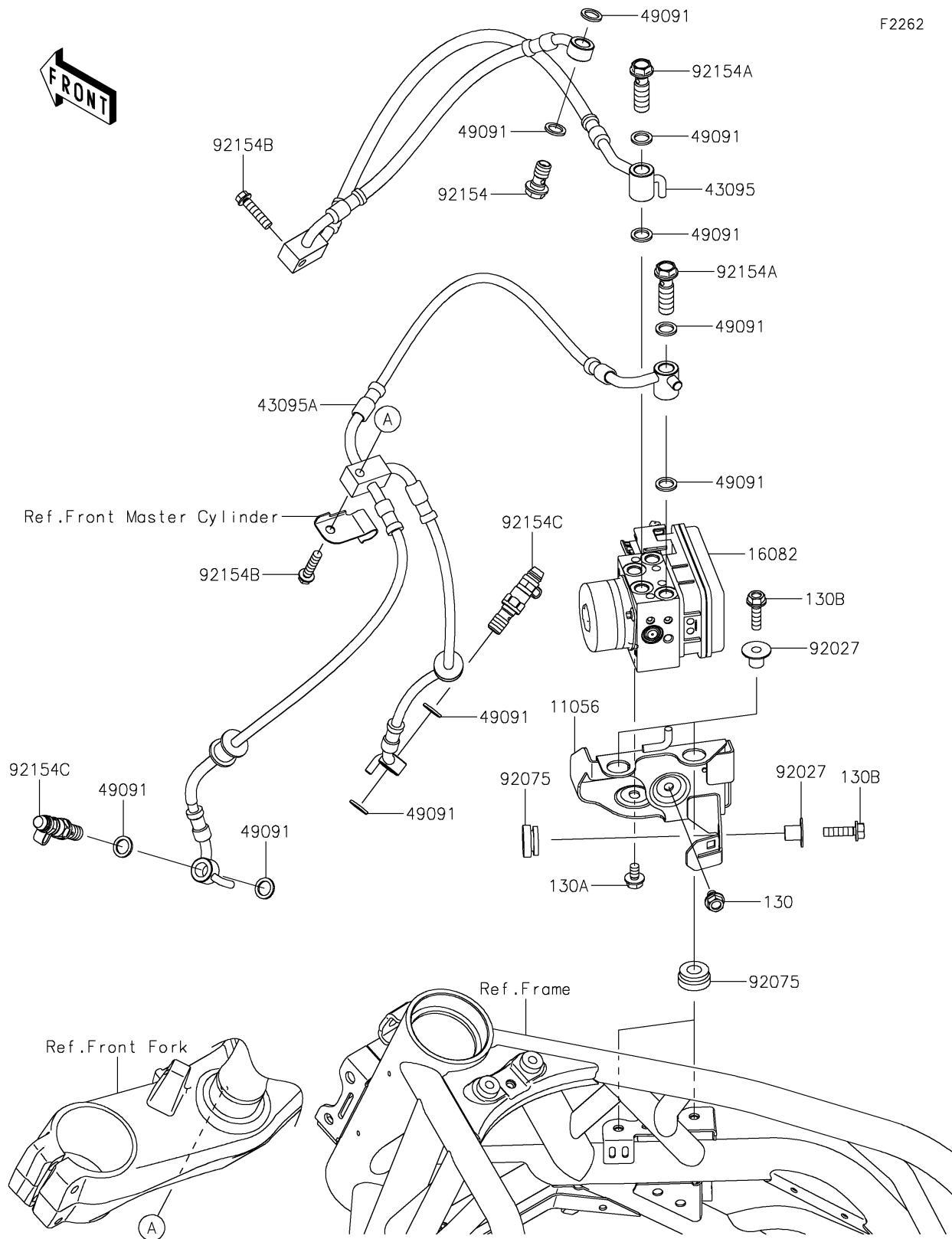


2025 NINJA H2[®]R ABS

PARTS DIAGRAM

Brake Piping

F2262



2025 NINJA H2[®]R ABS

PARTS LIST

Brake Piping

ITEM NAME

PART NUMBER

QUANTITY
