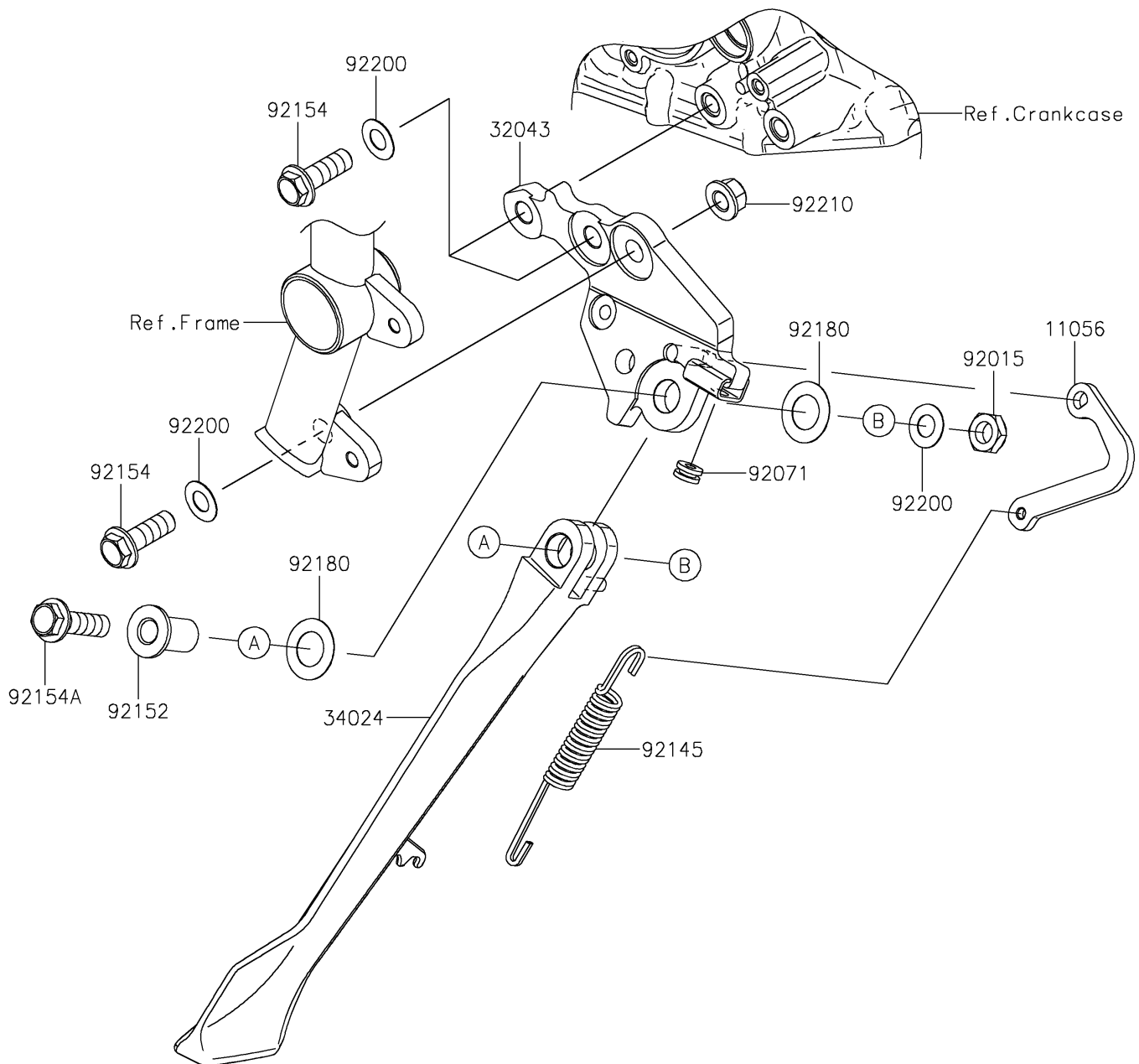


2025 NINJA H2[®]R ABS

PARTS DIAGRAM

Stand(s)

F2190



2025 NINJA H2[®]R ABS

PARTS LIST

Stand(s)

ITEM NAME

PART NUMBER

QUANTITY
