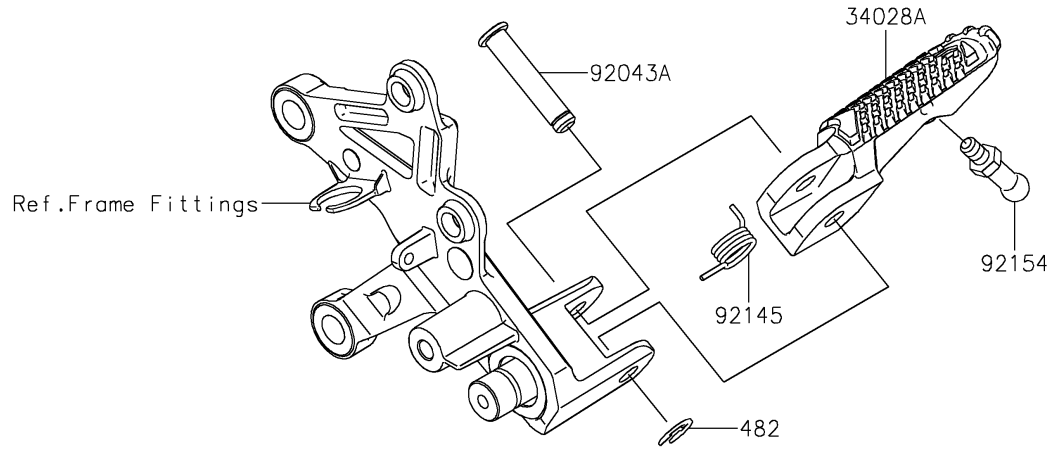


# 2021 NINJA H2<sup>®</sup>R

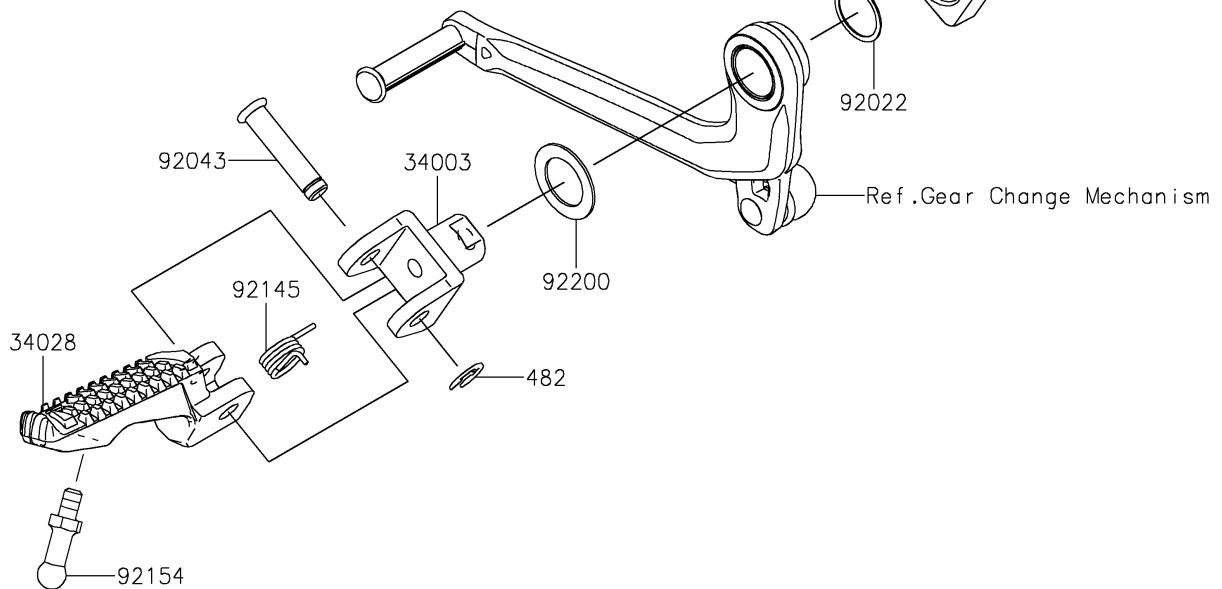
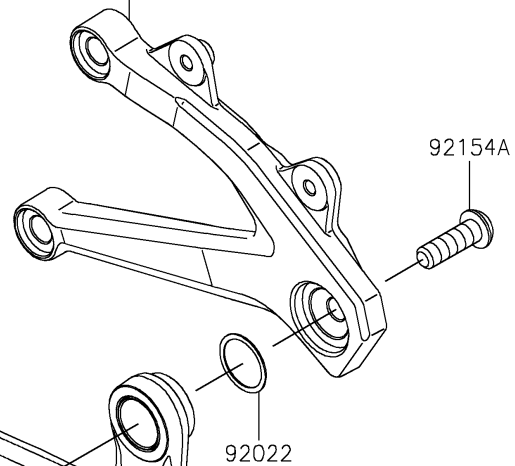
## PARTS DIAGRAM

### Footrests

F2160



Ref. Frame Fittings



# 2021 NINJA H2<sup>®</sup>R

## PARTS LIST

### Footrests

**ITEM NAME**

**PART NUMBER**

**QUANTITY**

---