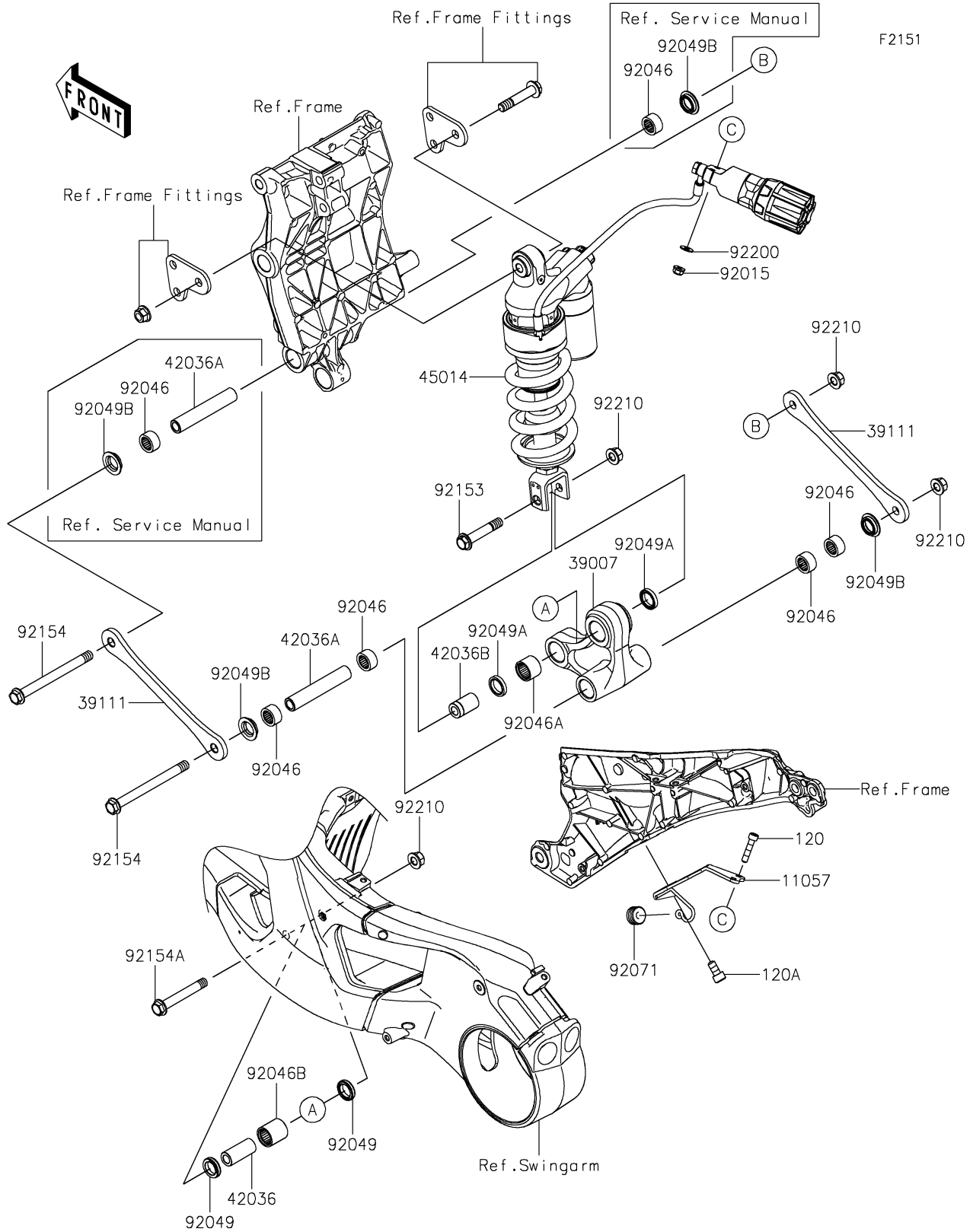


# 2021 NINJA H2<sup>®</sup>R

## PARTS DIAGRAM

### Suspension/Shock Absorber(YMFNN)



# 2021 NINJA H2<sup>®</sup>R

## PARTS LIST

Suspension/Shock Absorber(YMFNN)

**ITEM NAME**

**PART NUMBER**

**QUANTITY**

---