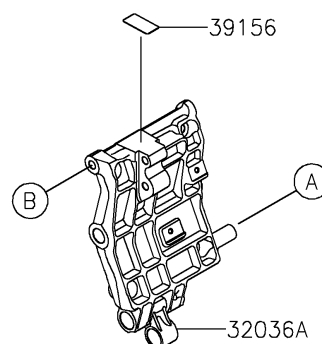
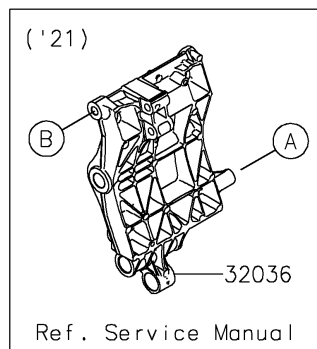
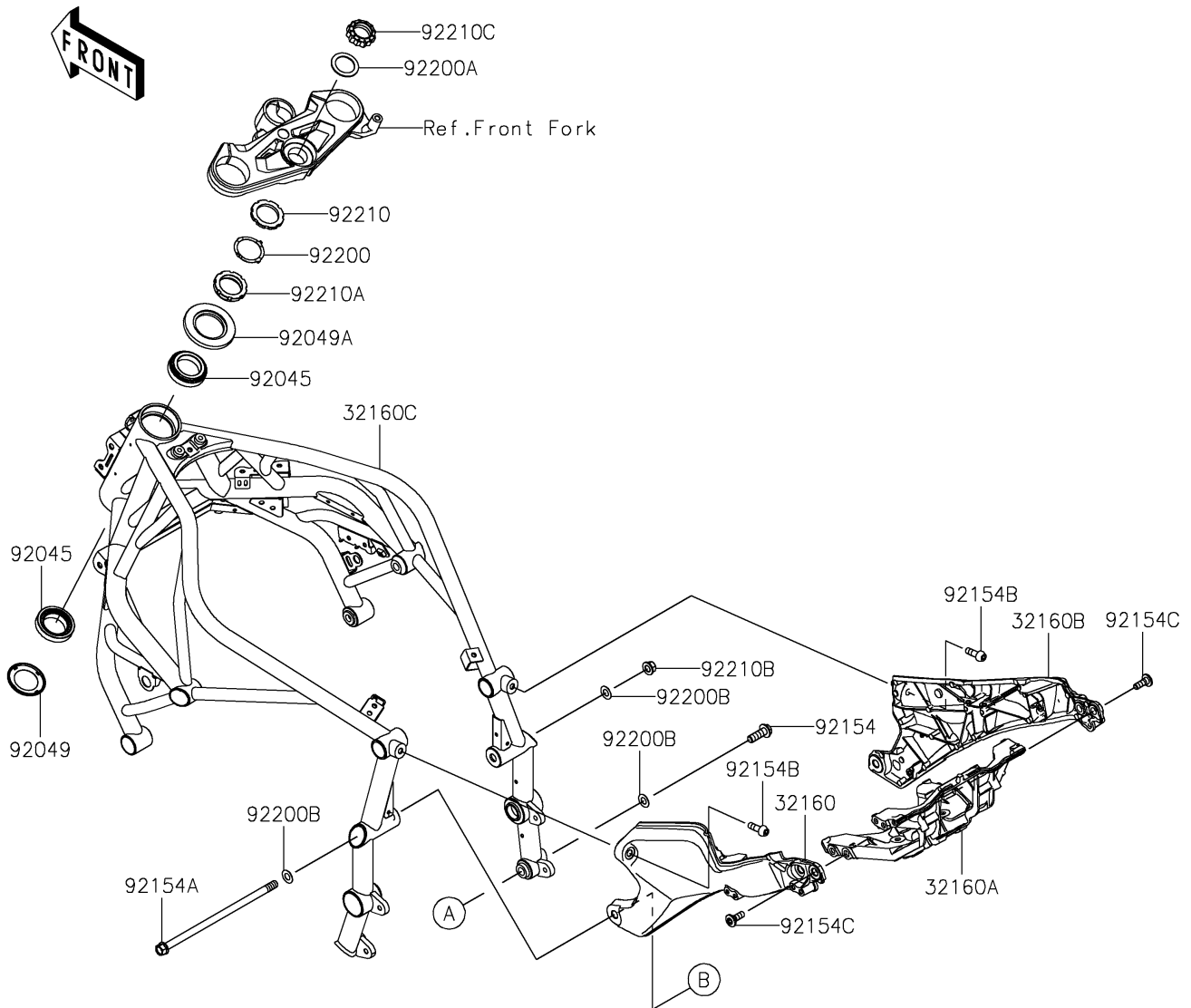


2025 NINJA H2[®]R ABS

PARTS DIAGRAM

Frame

F2120



2025 NINJA H2[®]R ABS

PARTS LIST

Frame

ITEM NAME

PART NUMBER

QUANTITY
