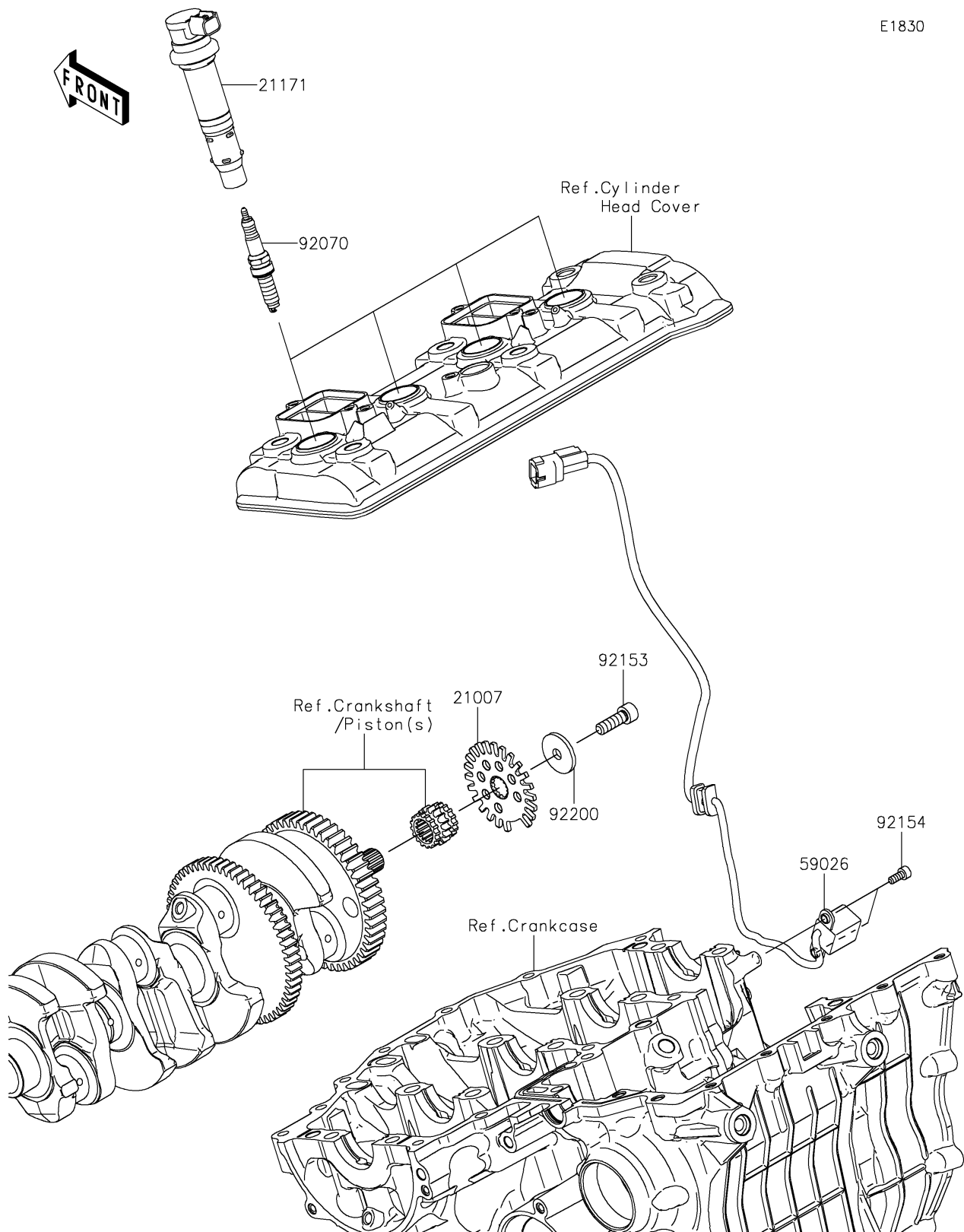


2025 NINJA H2[®]R ABS

PARTS DIAGRAM

Ignition System

E1830



2025 NINJA H2[®]R ABS

PARTS LIST

Ignition System

ITEM NAME

PART NUMBER

QUANTITY
