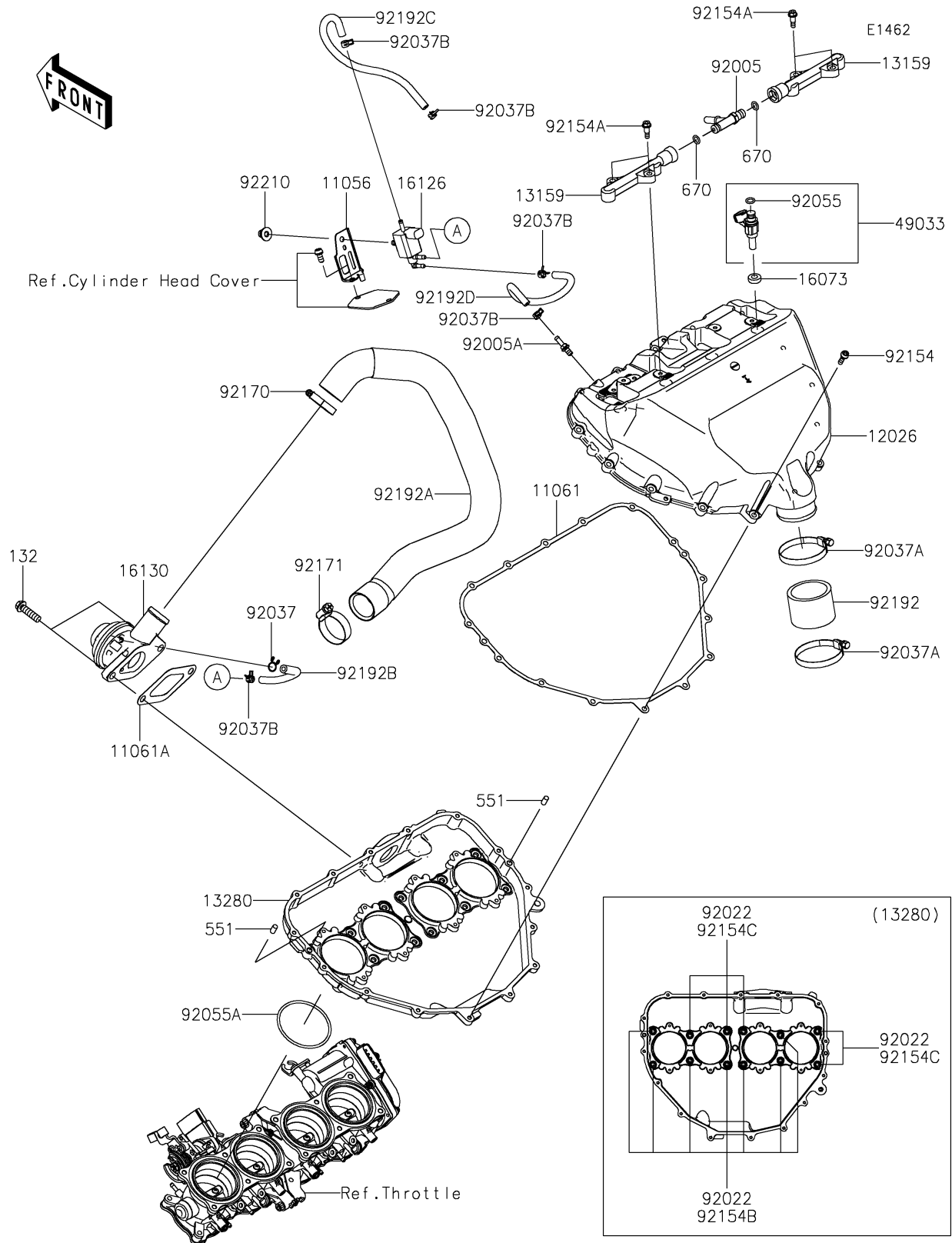


# 2022 NINJA H2<sup>®</sup>R

## PARTS DIAGRAM

### Air Chamber



# 2022 NINJA H2<sup>®</sup> R

## PARTS LIST

### Air Chamber

**Kawasaki**

Let the Good Times Roll<sup>®</sup>

**ITEM NAME**

**PART NUMBER**

**QUANTITY**

---