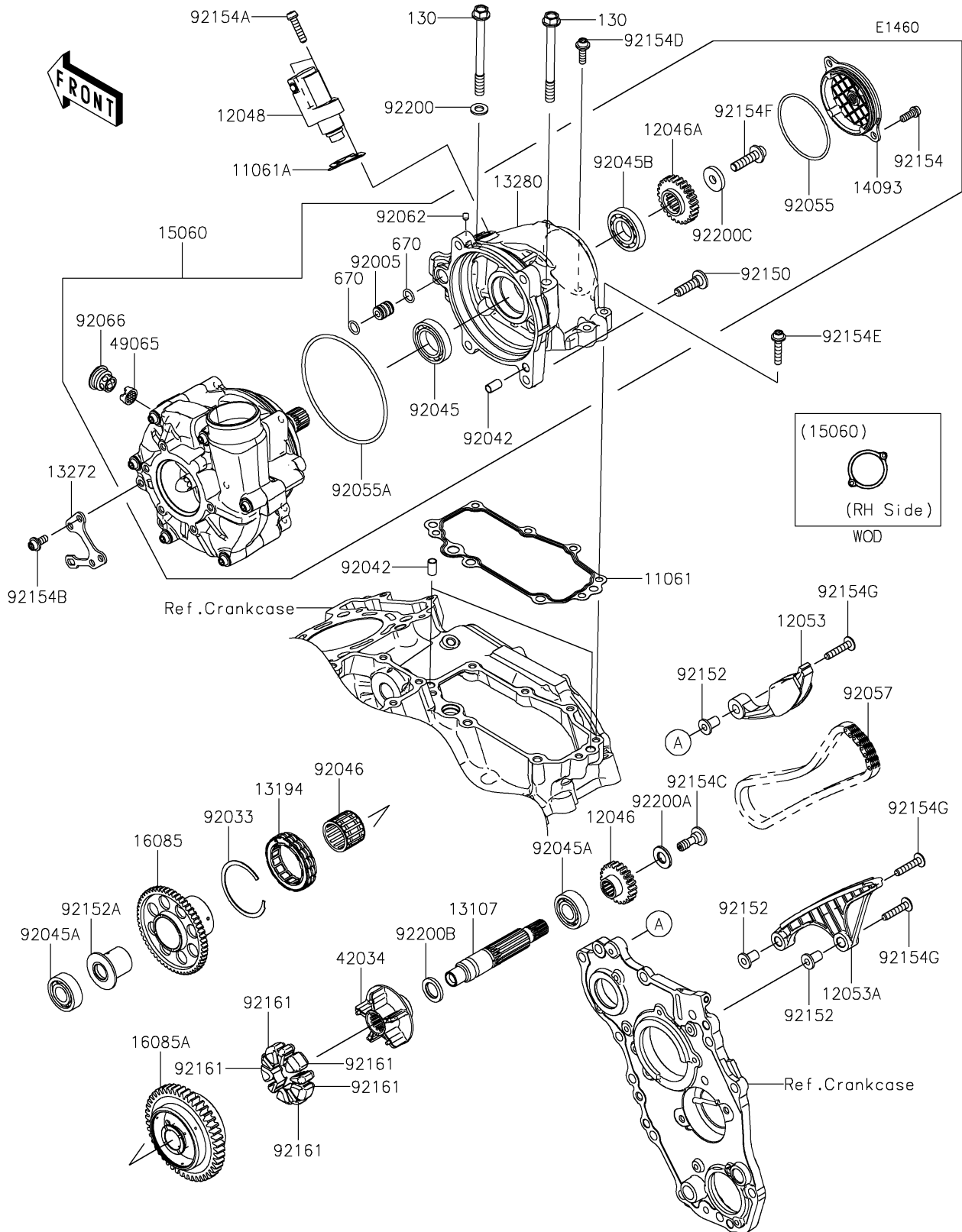


# 2023 NINJA H2<sup>®</sup>R

## PARTS DIAGRAM

### Super Charger



# 2023 NINJA H2<sup>®</sup> R

## PARTS LIST

Super Charger

**Kawasaki**

Let the Good Times Roll<sup>®</sup>

**ITEM NAME**

**PART NUMBER**

**QUANTITY**

---