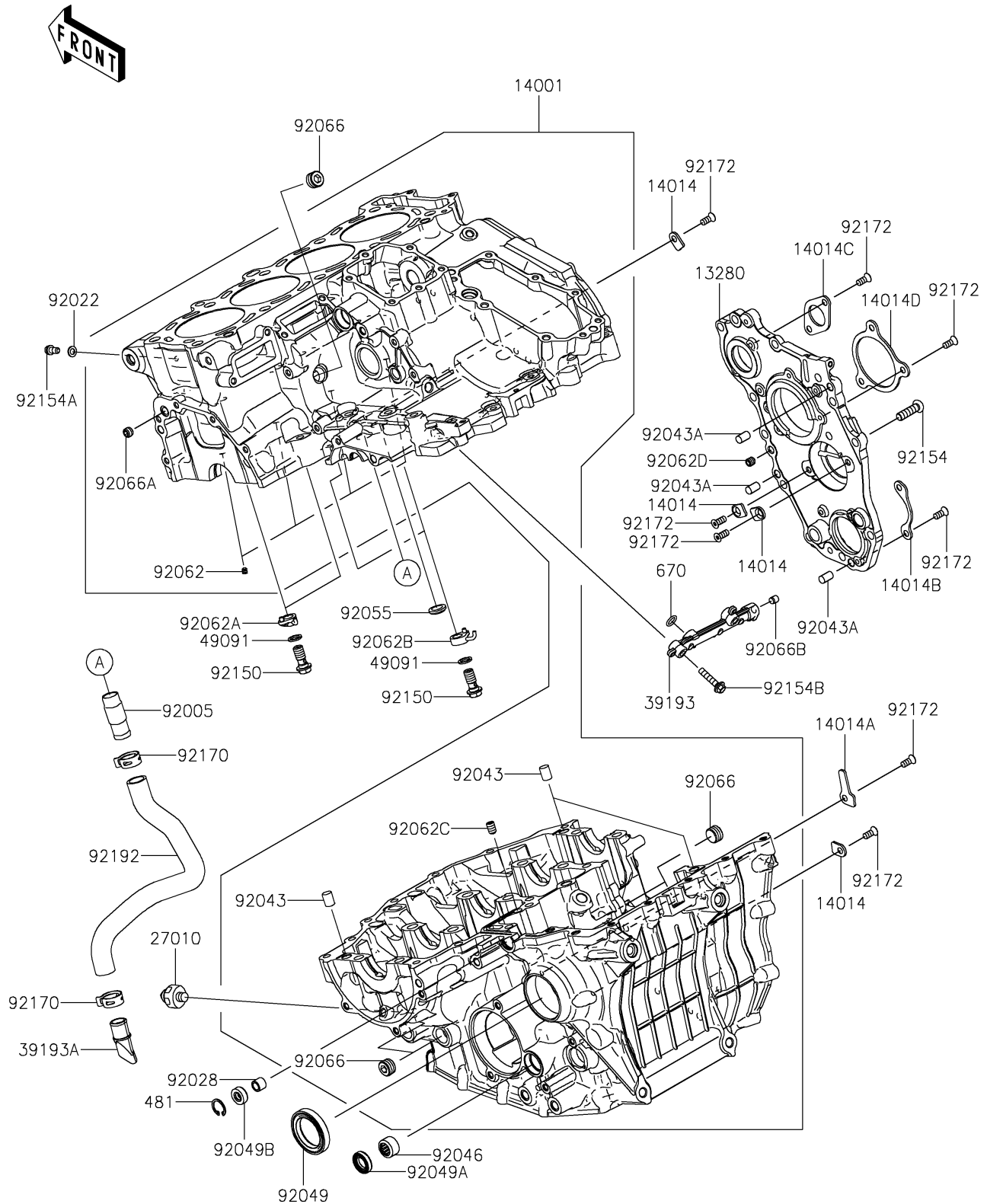


2025 NINJA H2[®]R ABS

PARTS DIAGRAM

Crankcase

E1411



2025 NINJA H2[®]R ABS

PARTS LIST

Crankcase

ITEM NAME

PART NUMBER

QUANTITY
