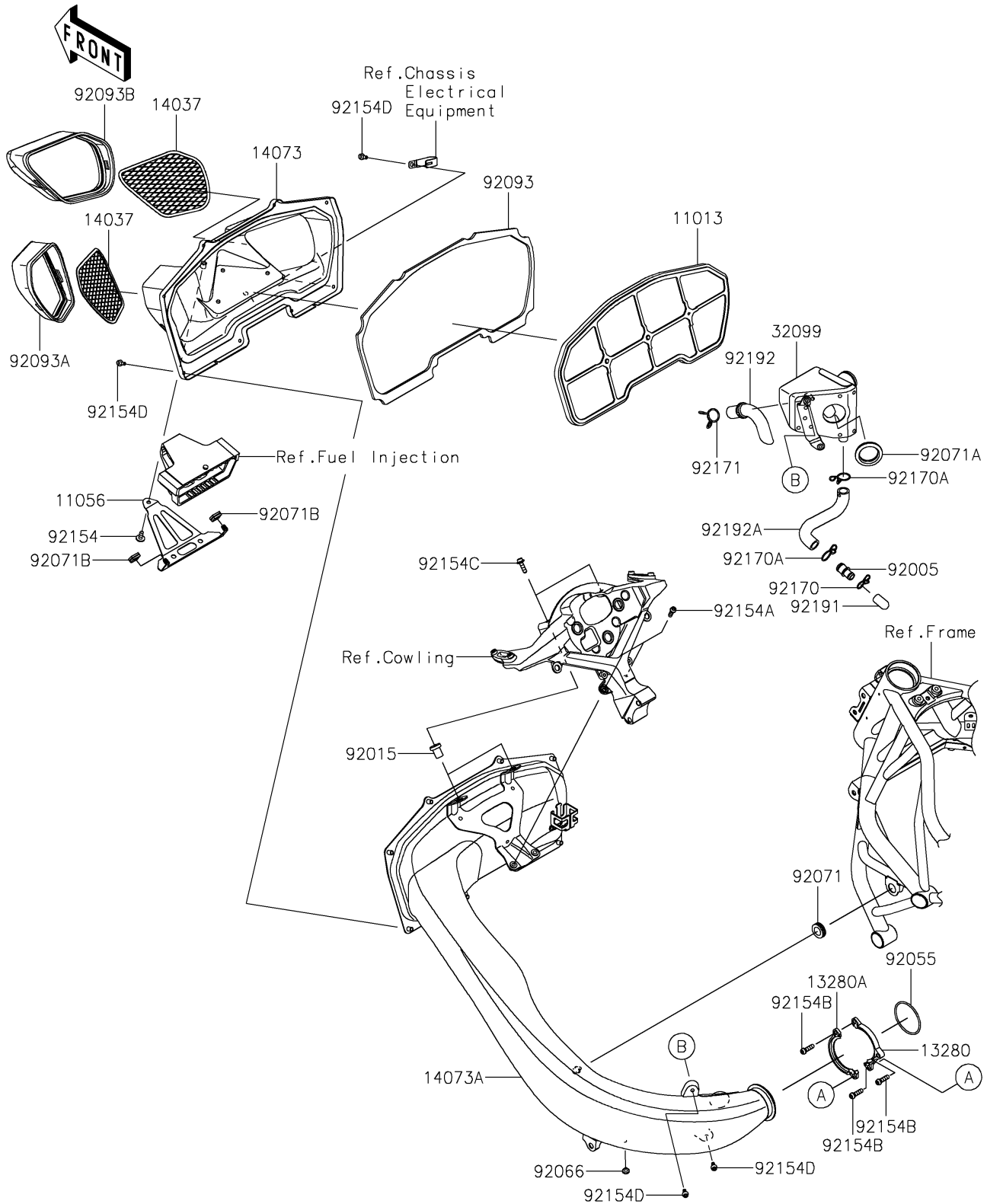


# 2021 NINJA H2<sup>®</sup>R

## PARTS DIAGRAM

### Air Cleaner

E1130



# 2021 NINJA H2<sup>®</sup>R

## PARTS LIST

### Air Cleaner

**ITEM NAME**

**PART NUMBER**

**QUANTITY**

---