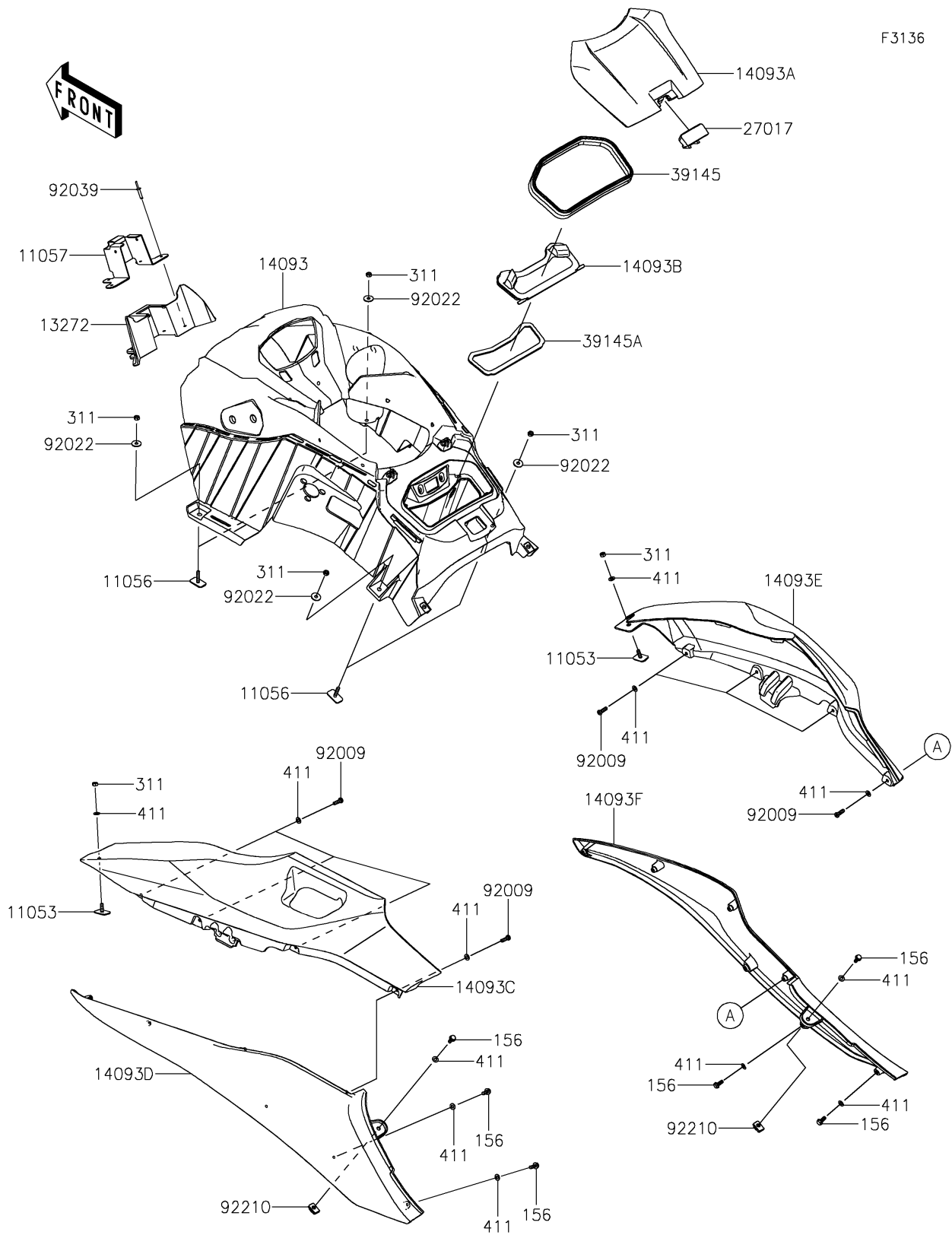


# 2025 JET SKI® STX® 160LX

## PARTS DIAGRAM Hull Middle Fittings



# 2025 JET SKI® STX® 160LX

## PARTS LIST

### Hull Middle Fittings

ITEM NAME	PART NUMBER	QUANTITY
-----------	-------------	----------

---