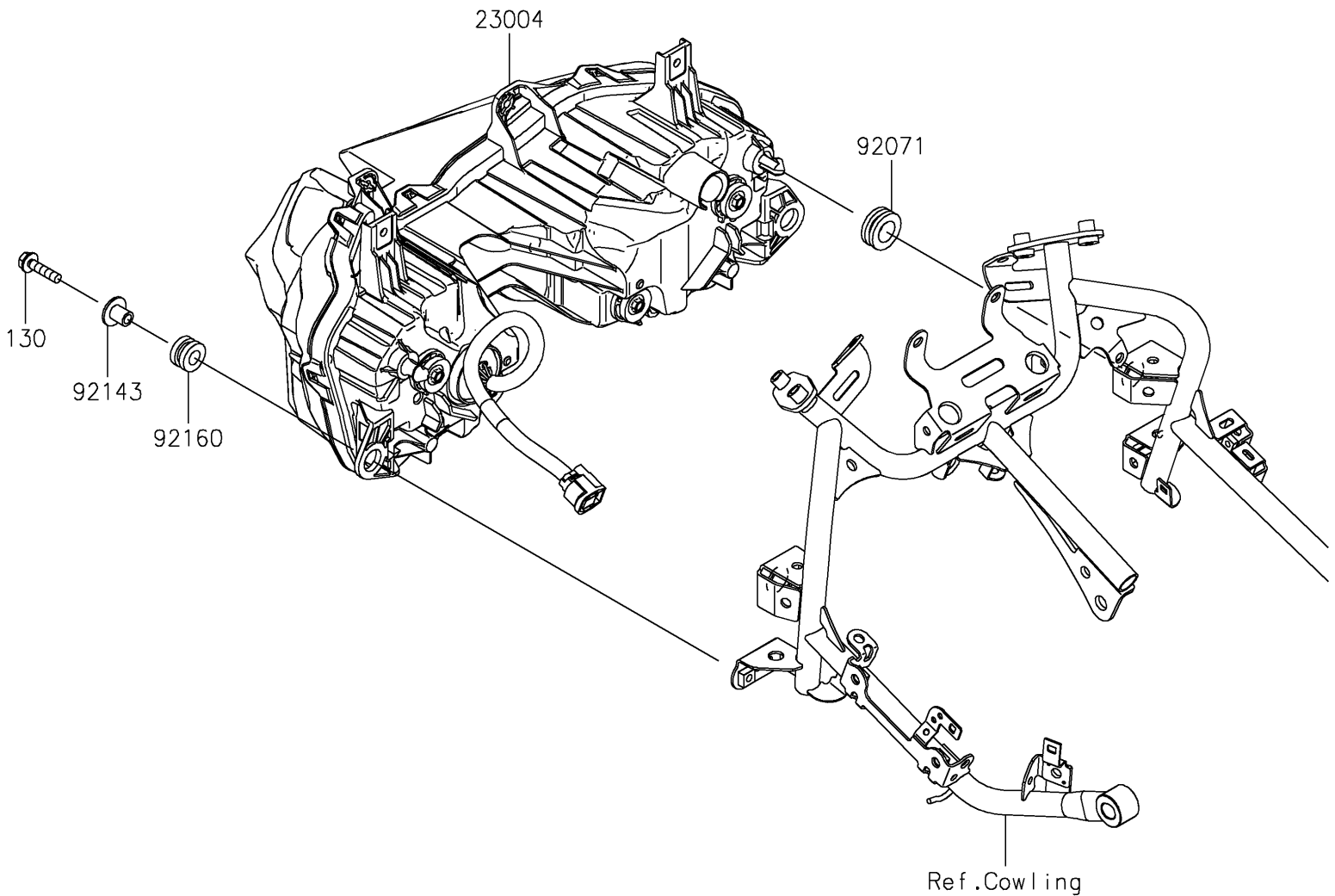


# 2024 NINJA® 500

## PARTS DIAGRAM

### Headlight(s)

F2710



# 2024 NINJA<sup>®</sup> 500

## PARTS LIST

Headlight(s)



ITEM NAME	PART NUMBER	QUANTITY
-----------	-------------	----------

---