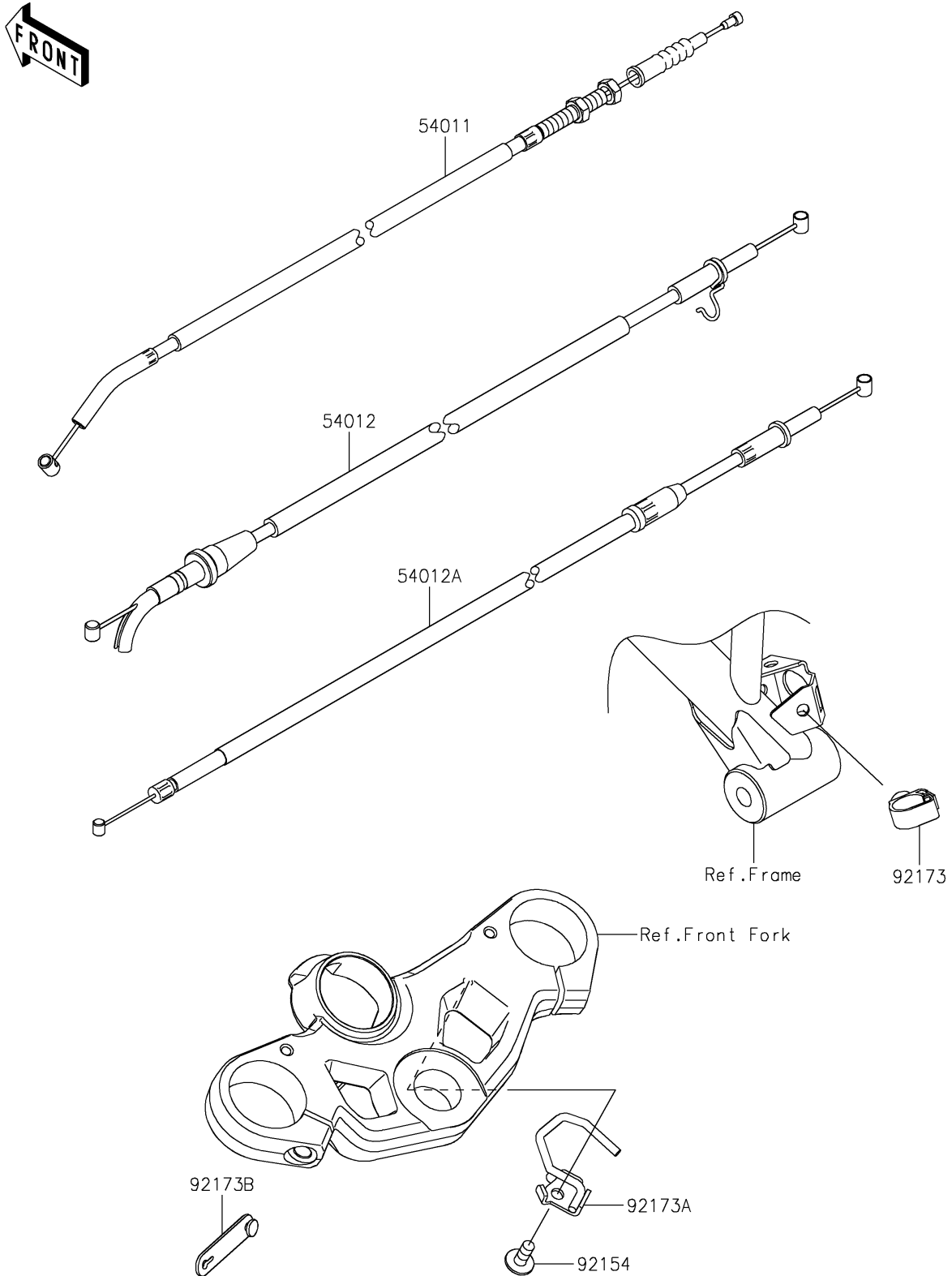


2025 Ninja 500

PARTS DIAGRAM

Cables

F2540



2025 Ninja 500

PARTS LIST

Cables

ITEM NAME

PART NUMBER

QUANTITY
