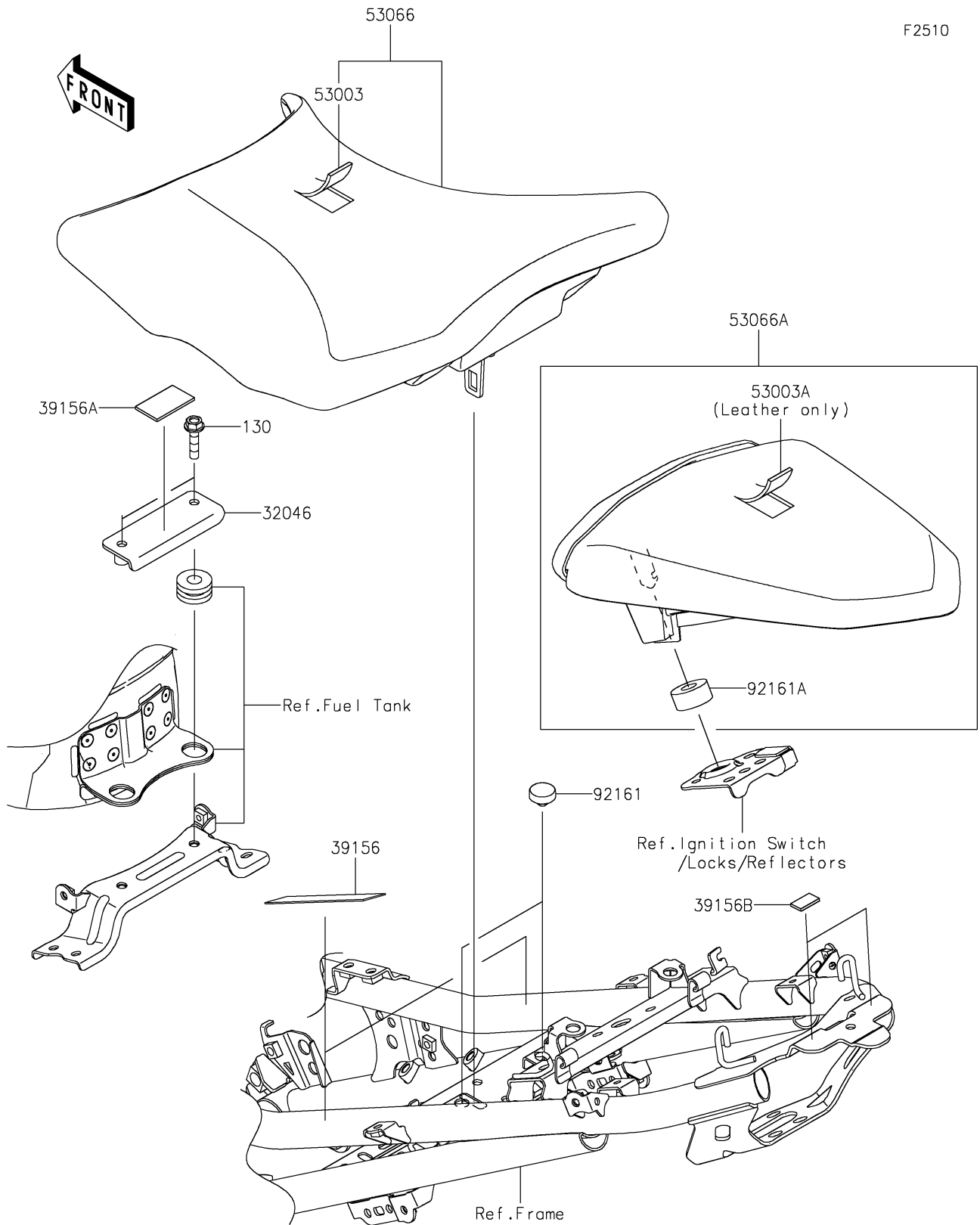


2024 NINJA® 500

PARTS DIAGRAM

Seat



2024 NINJA[®] 500

PARTS LIST

Seat



| ITEM NAME | PART NUMBER | QUANTITY |
|-----------|-------------|----------|
|-----------|-------------|----------|
