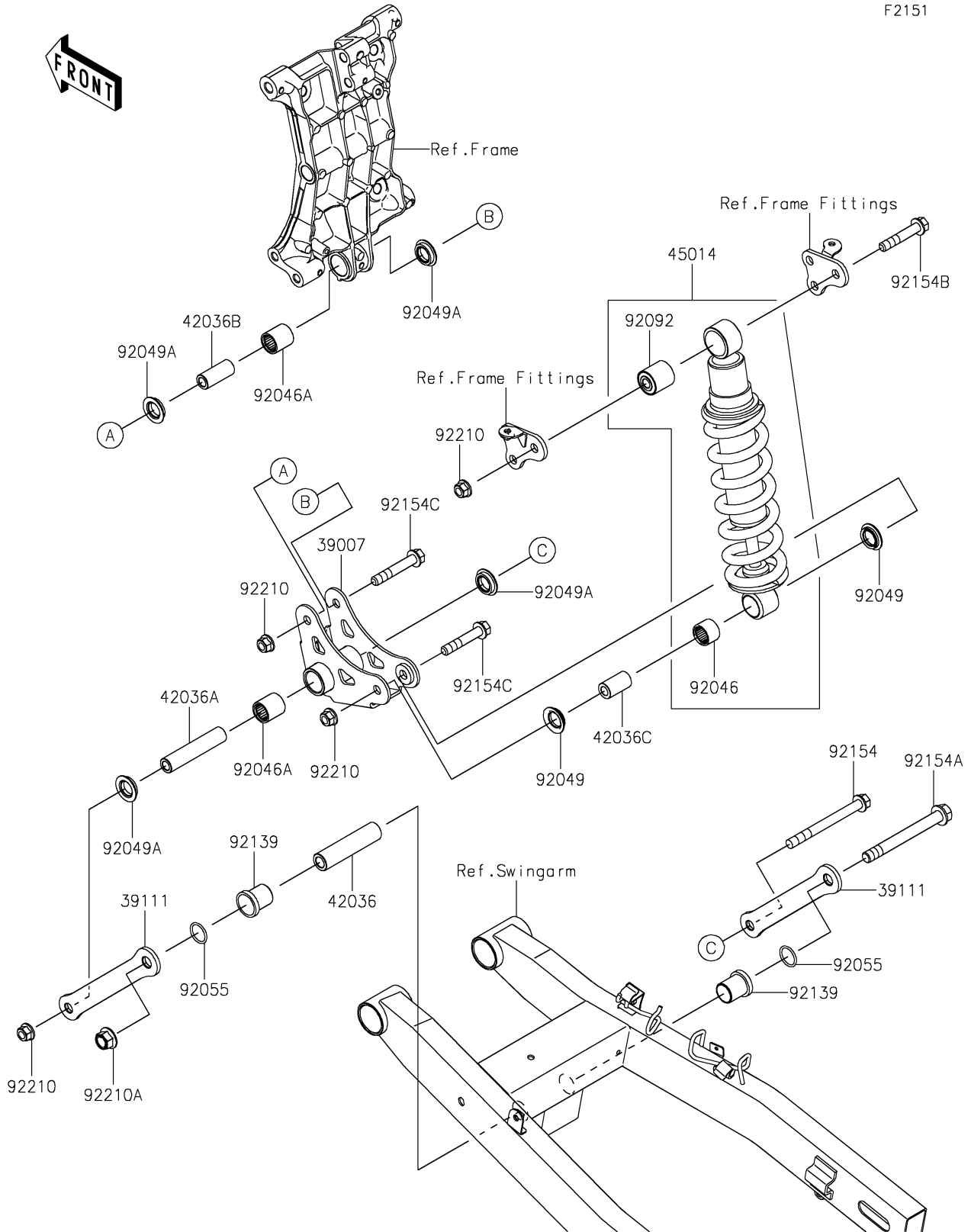


# 2024 NINJA® 500

## PARTS DIAGRAM

### Suspension/Shock Absorber

F2151



# 2024 NINJA® 500

## PARTS LIST

### Suspension/Shock Absorber

**ITEM NAME**

**PART NUMBER**

**QUANTITY**

---