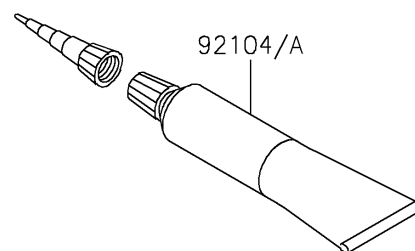
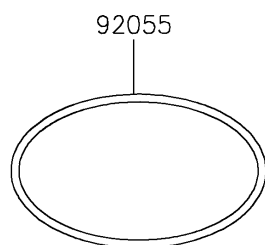
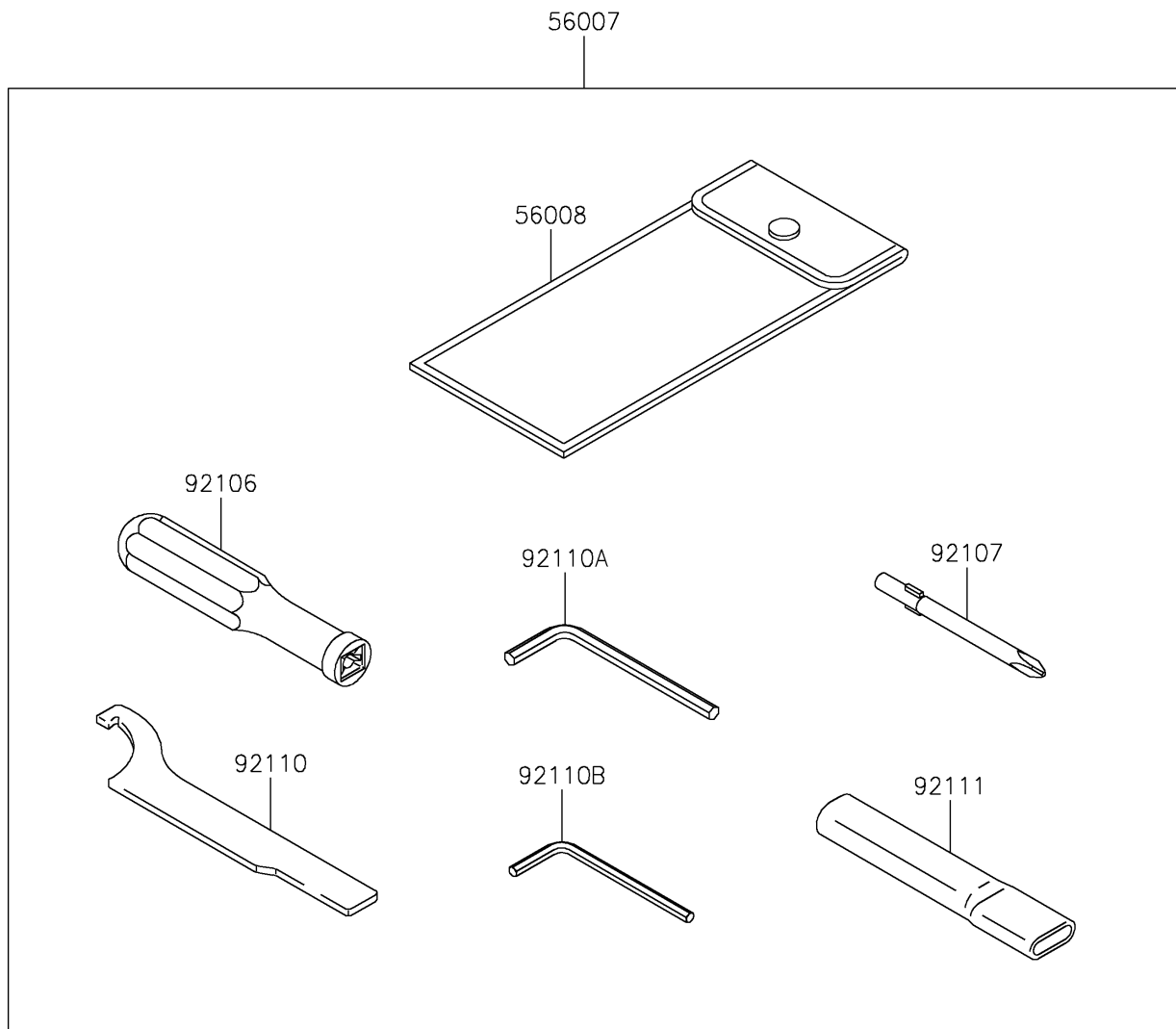


2025 NINJA® 500 ABS

PARTS DIAGRAM

Owner's Tools

F2810



2025 NINJA[®] 500 ABS

PARTS LIST

Owner's Tools

ITEM NAME

PART NUMBER

QUANTITY
