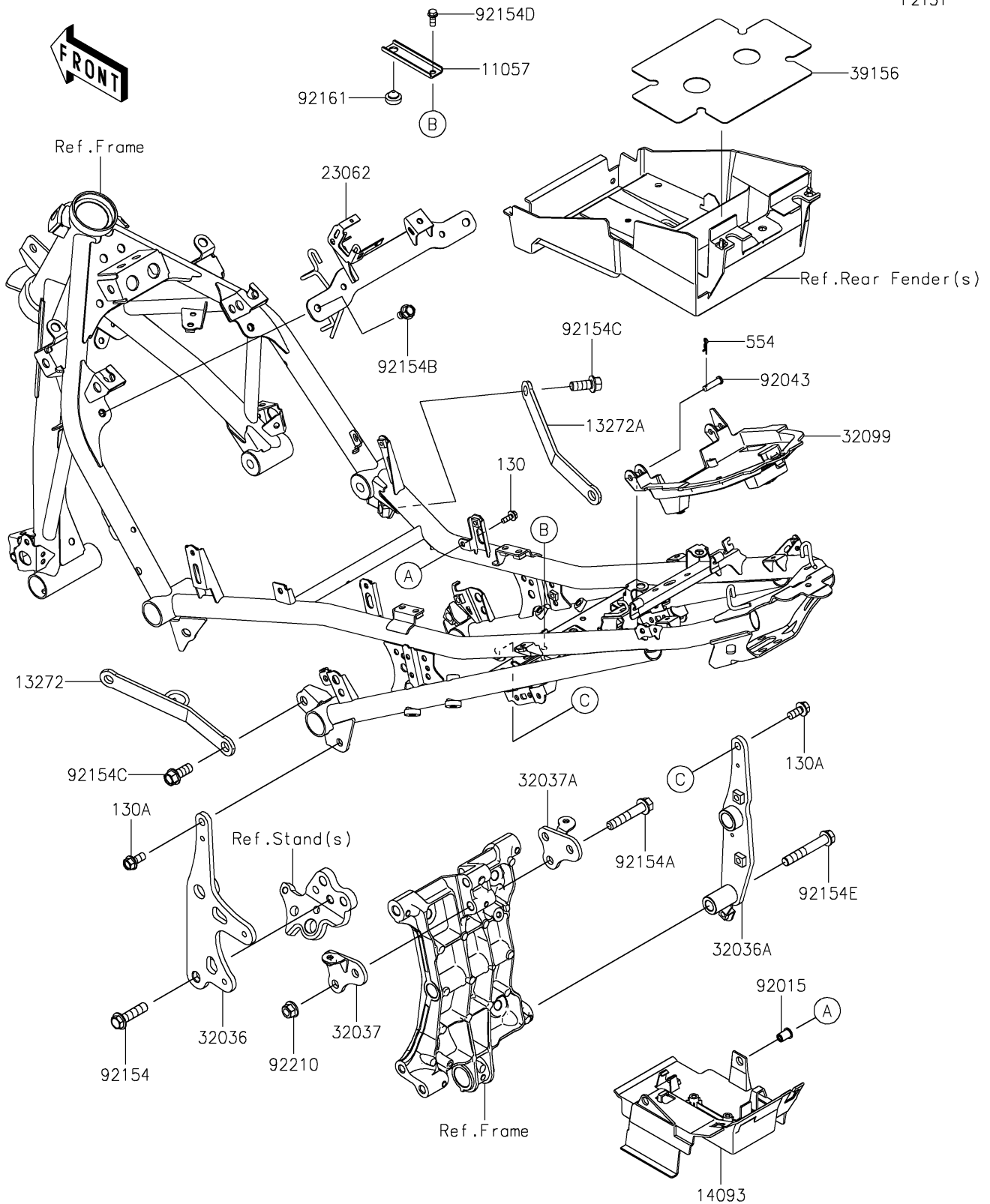


2025 NINJA® 500 ABS

PARTS DIAGRAM

Frame Fittings

F2131



2025 NINJA[®] 500 ABS

PARTS LIST Frame Fittings



ITEM NAME	PART NUMBER	QUANTITY
-----------	-------------	----------
