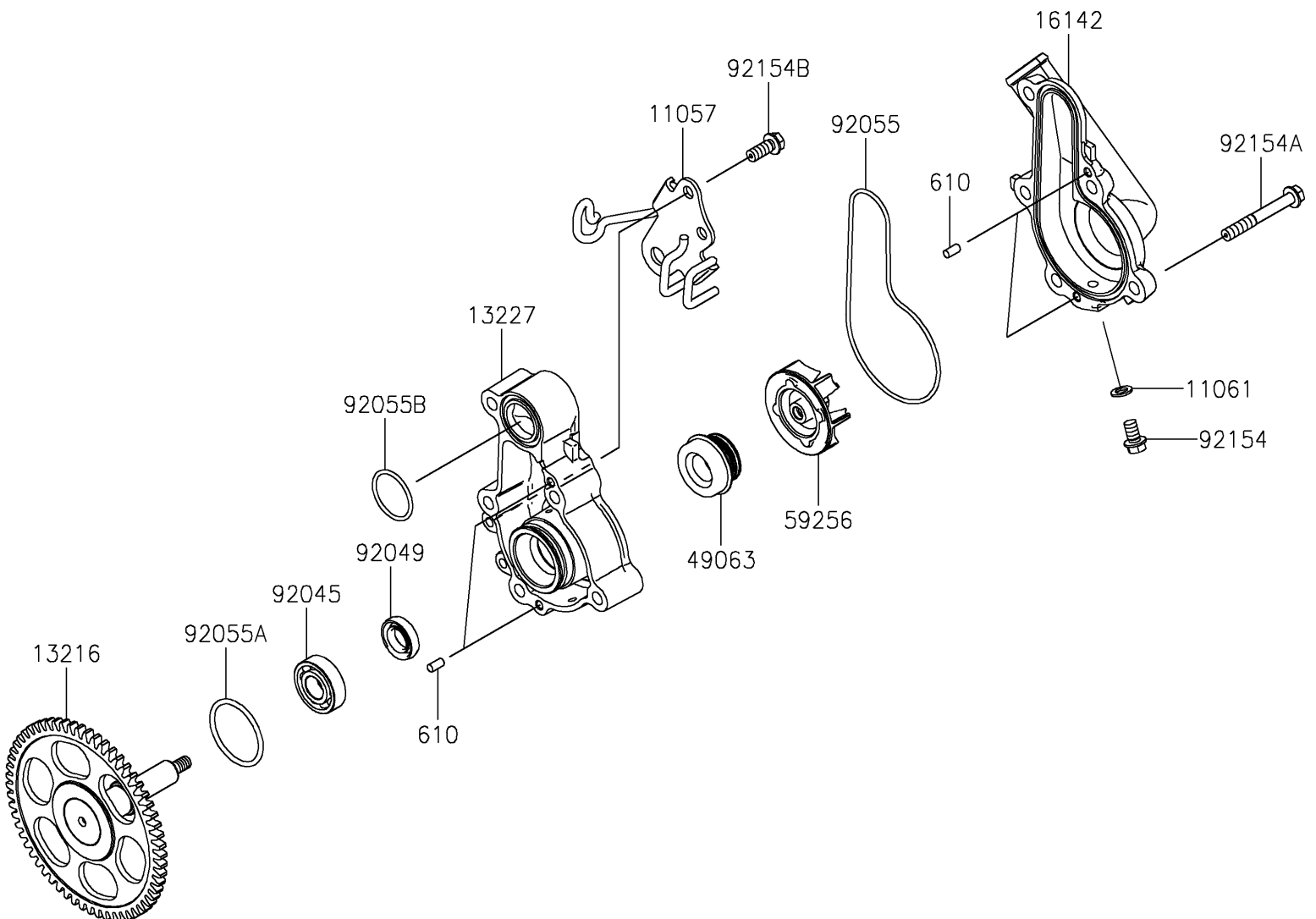


2025 NINJA® 500 ABS

PARTS DIAGRAM

Water Pump

E3031



2025 NINJA® 500 ABS

PARTS LIST

Water Pump

ITEM NAME

PART NUMBER

QUANTITY
