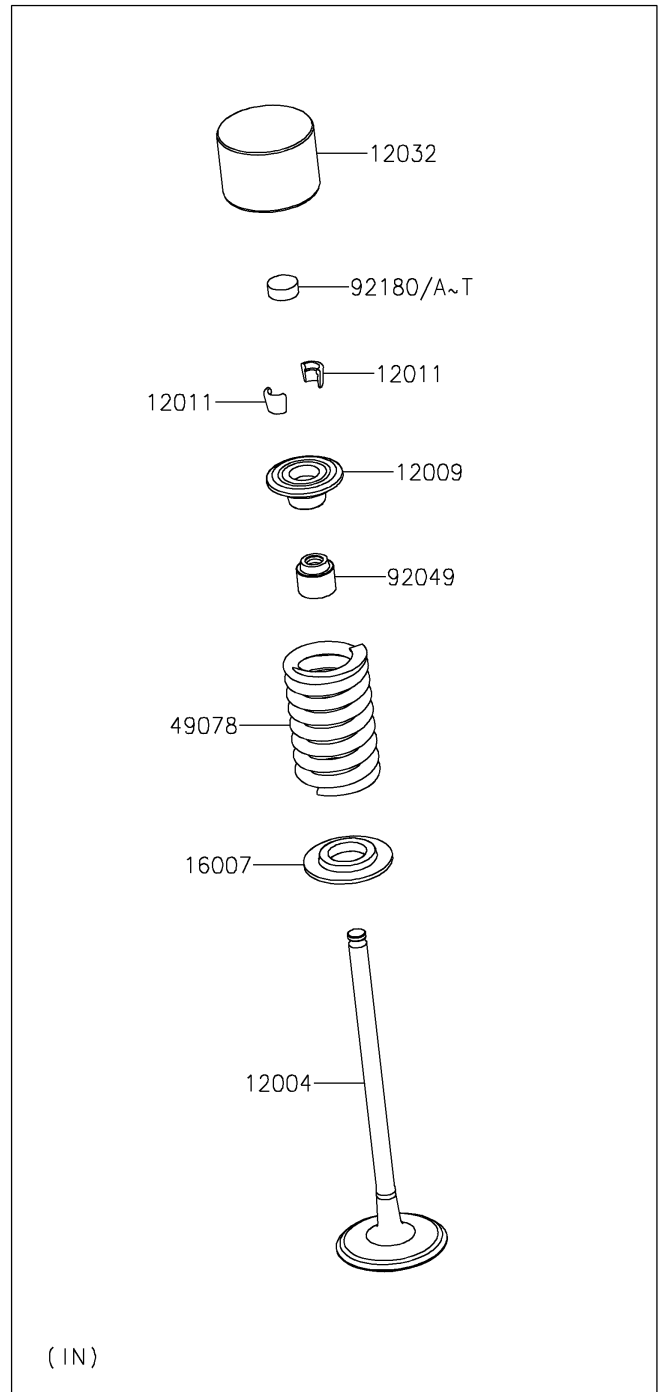


# 2025 NINJA<sup>®</sup> 500 ABS

## PARTS DIAGRAM

Valve(s)

E1210



# 2025 NINJA® 500 ABS

## PARTS LIST

Valve(s)

**ITEM NAME**

**PART NUMBER**

**QUANTITY**

---