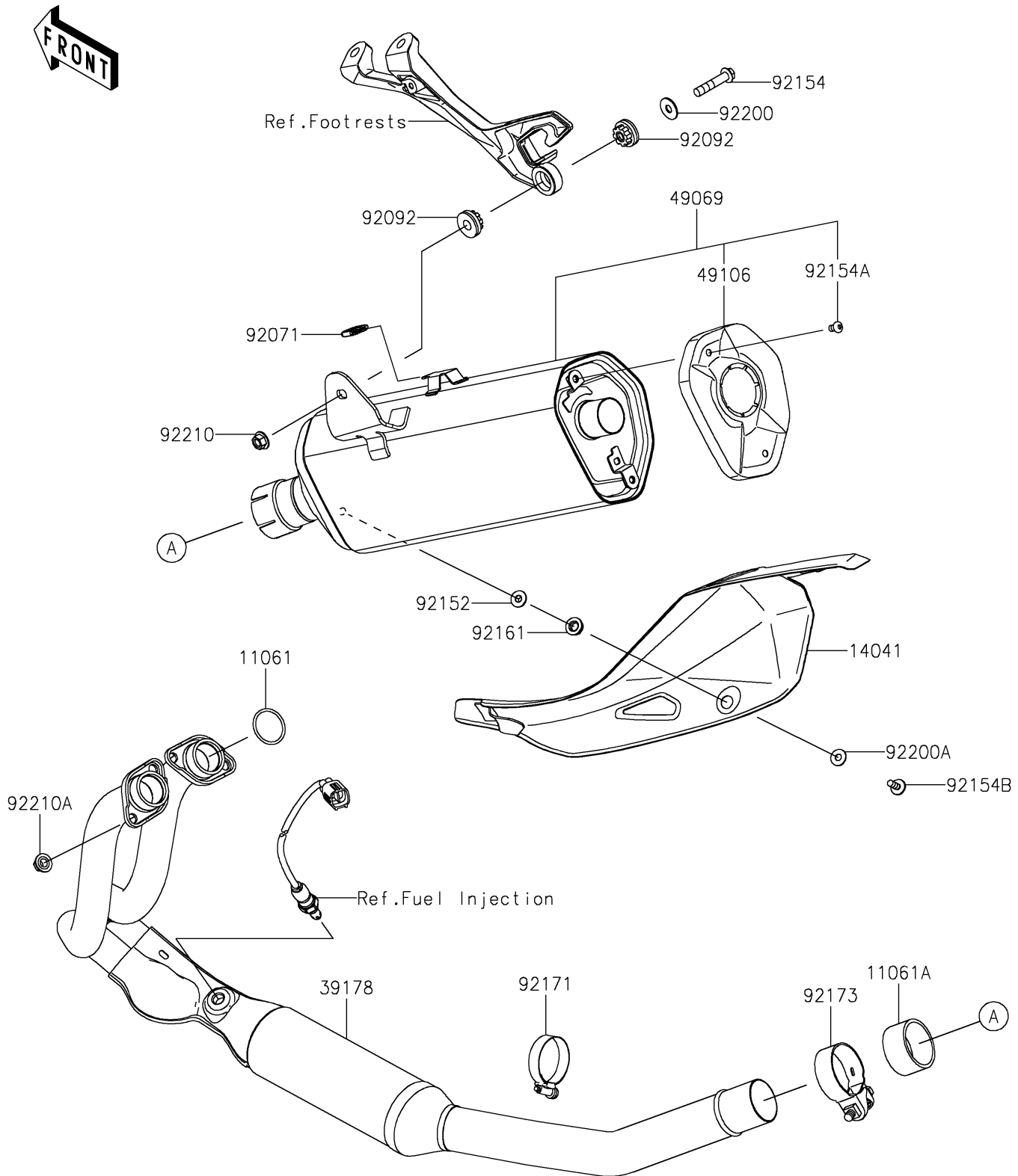


# 2025 NINJA® 500 ABS

## PARTS DIAGRAM

### Muffler(s)

E1140



# 2025 NINJA<sup>®</sup> 500 ABS

## PARTS LIST

Muffler(s)

ITEM NAME	PART NUMBER	QUANTITY
-----------	-------------	----------

---