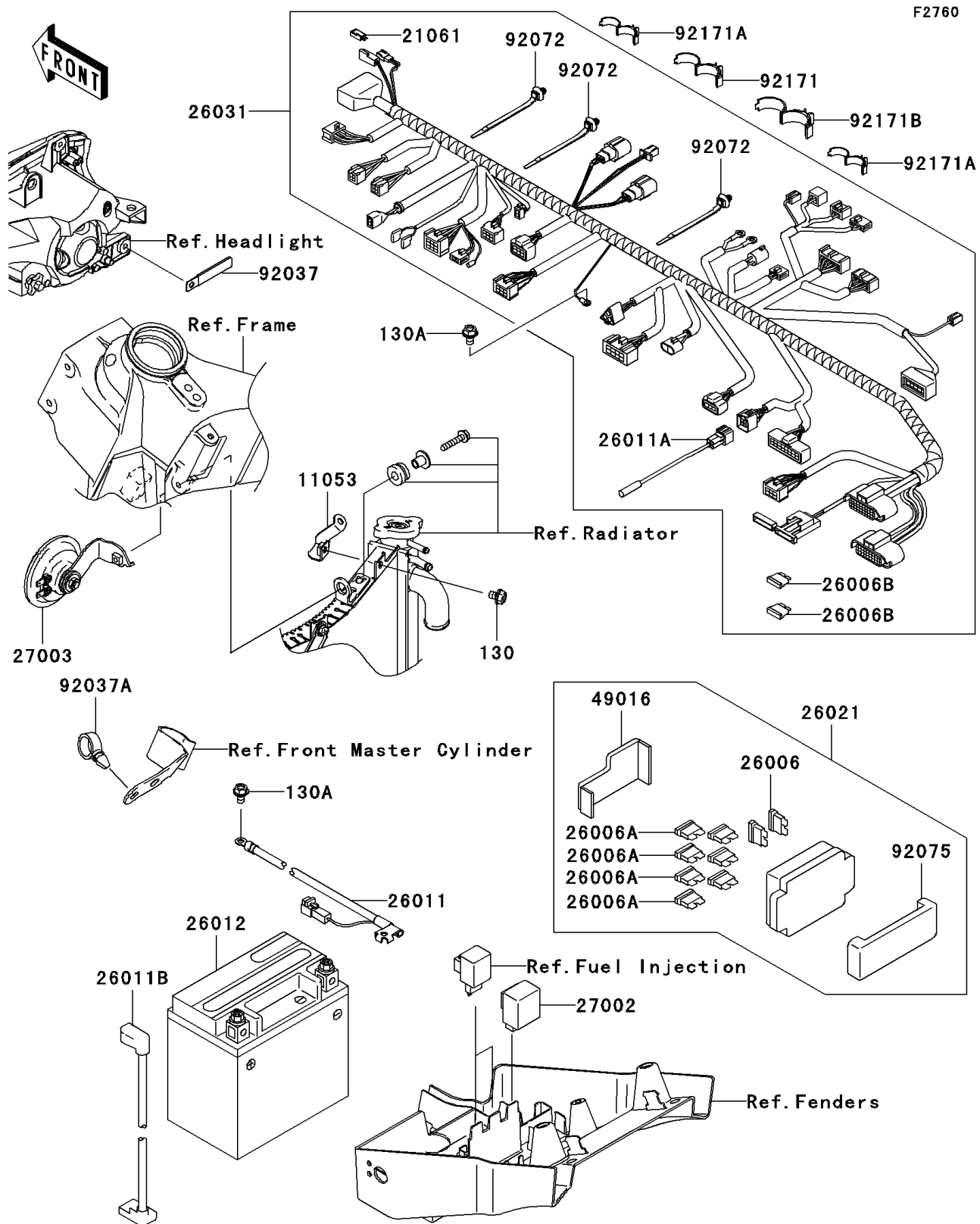


2003 Ninja[®] ZX[™]-6RR

PARTS DIAGRAM

Chassis Electrical Equipment



2003 Ninja® ZX™-6RR

PARTS LIST

Chassis Electrical Equipment

ITEM NAME

PART NUMBER

QUANTITY
