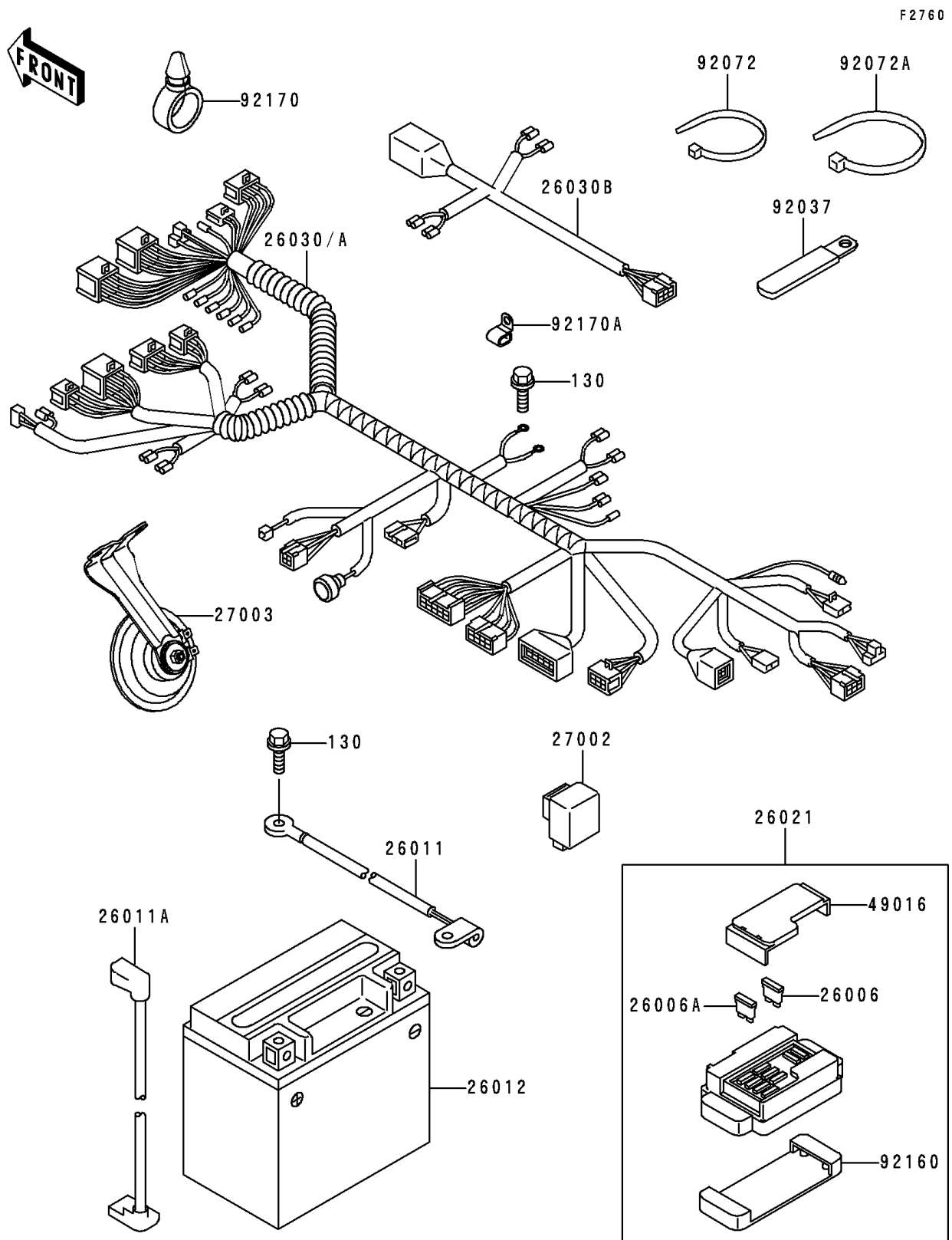


# 1998 Ninja<sup>®</sup> ZX<sup>™</sup>-6R

## PARTS DIAGRAM

### Chassis Electrical Equipment



# 1998 Ninja<sup>®</sup> ZX<sup>™</sup>-6R

## PARTS LIST

### Chassis Electrical Equipment

**ITEM NAME**

**PART NUMBER**

**QUANTITY**

---