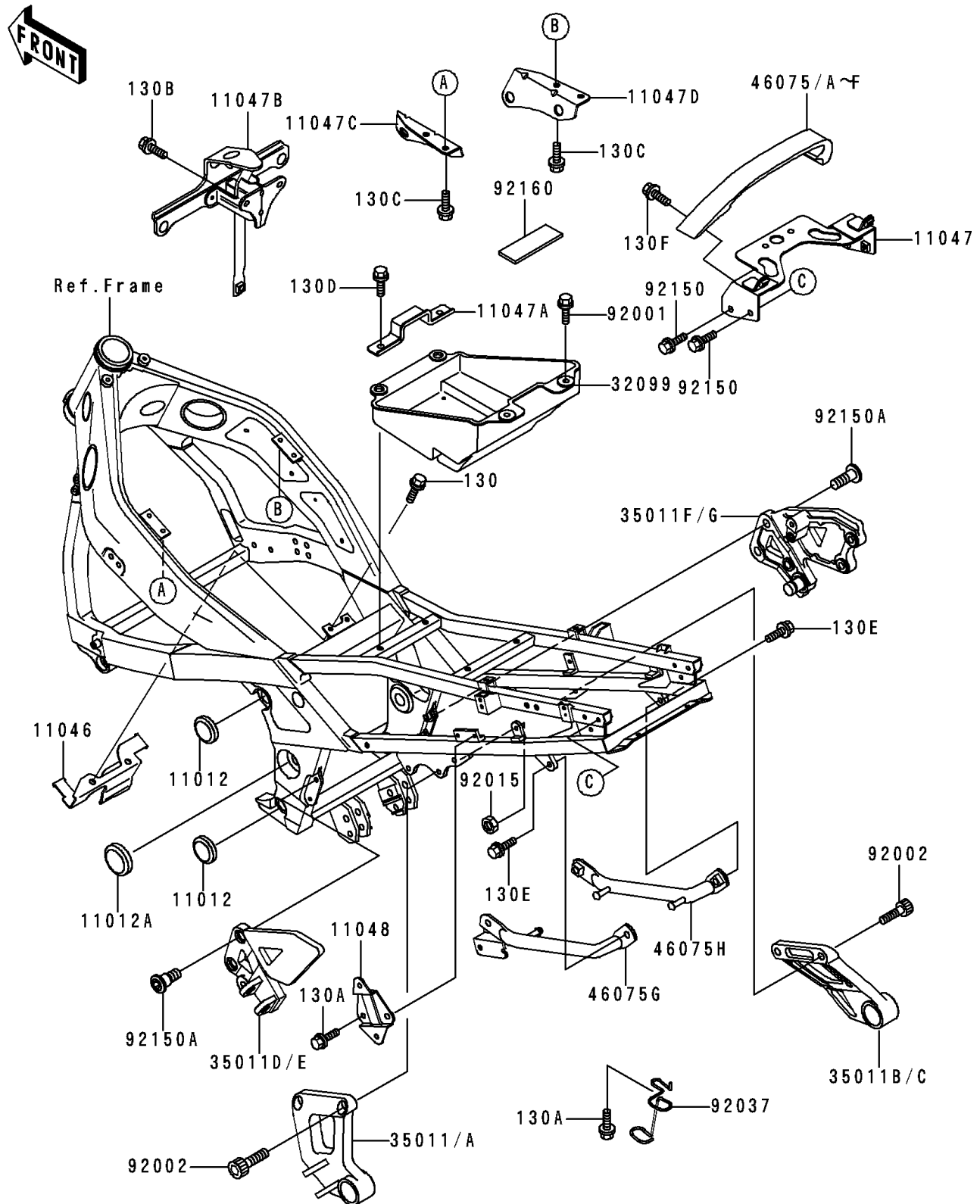


# 1997 Ninja® ZX™-6

## PARTS DIAGRAM

### Battery Case

F2132



# 1997 Ninja® ZX™-6

## PARTS LIST

### Battery Case

**ITEM NAME**

**PART NUMBER**

**QUANTITY**

---