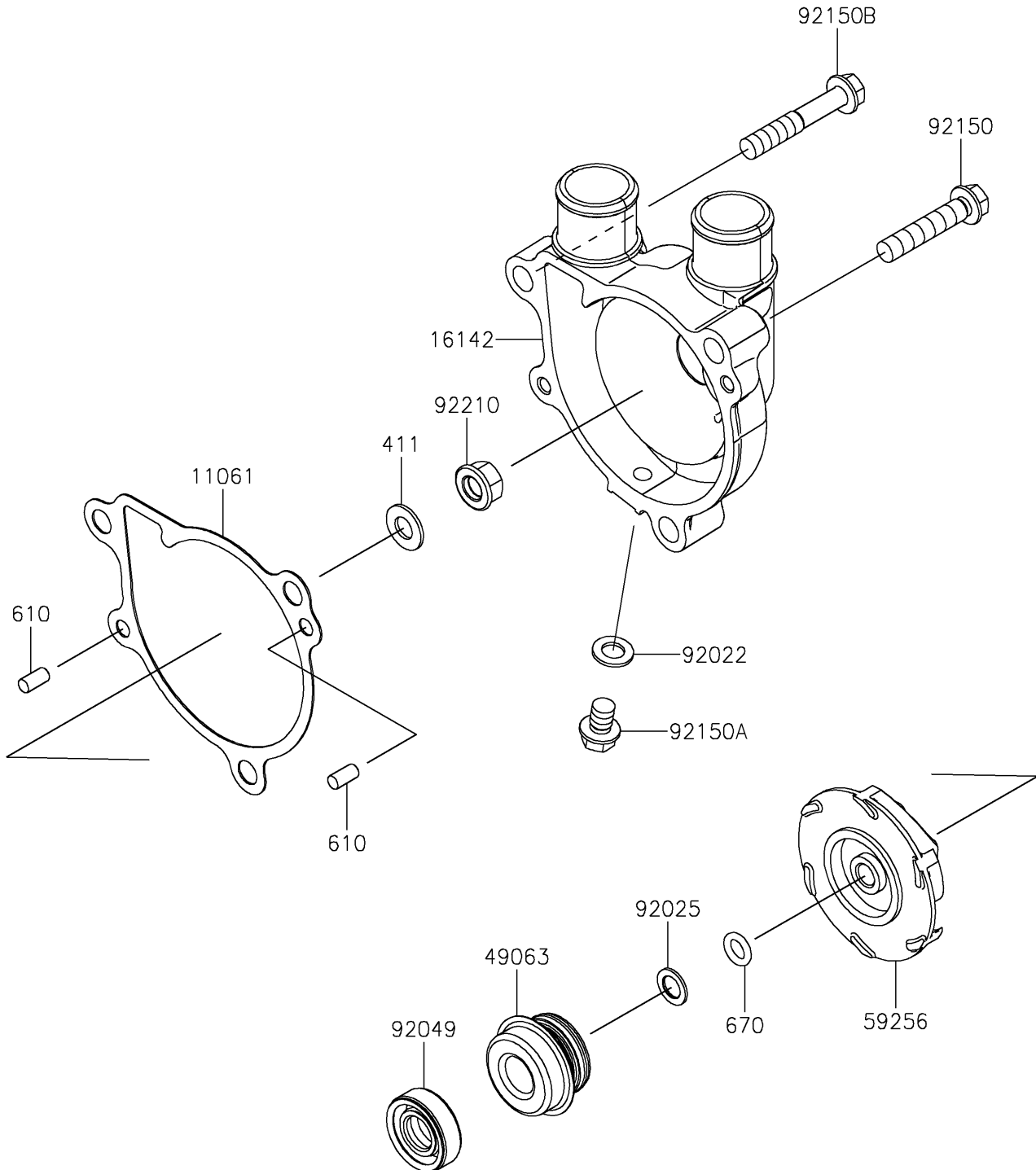


# 2024 KLR650

## PARTS DIAGRAM

### Water Pump

E3031



# 2024 KLR650

## PARTS LIST

### Water Pump



ITEM NAME	PART NUMBER	QUANTITY
-----------	-------------	----------

---