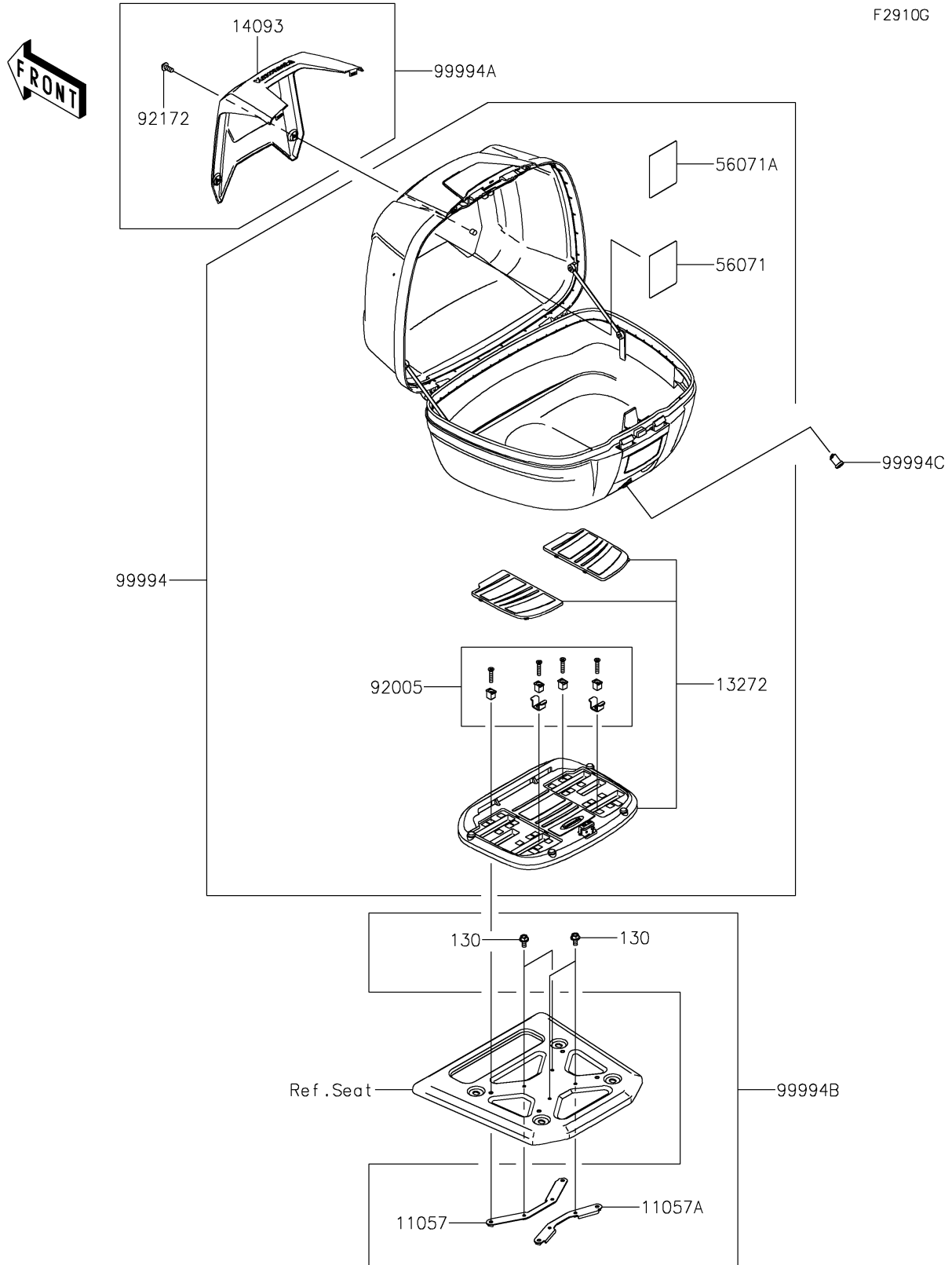


# 2024 KLR® 650

## PARTS DIAGRAM

### Accessory(Topcase)



# 2024 KLR<sup>®</sup> 650

## PARTS LIST

Accessory(Topcase)

**ITEM NAME**

**PART NUMBER**

**QUANTITY**

---