

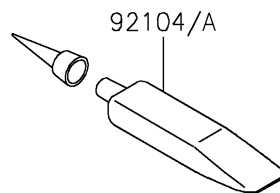
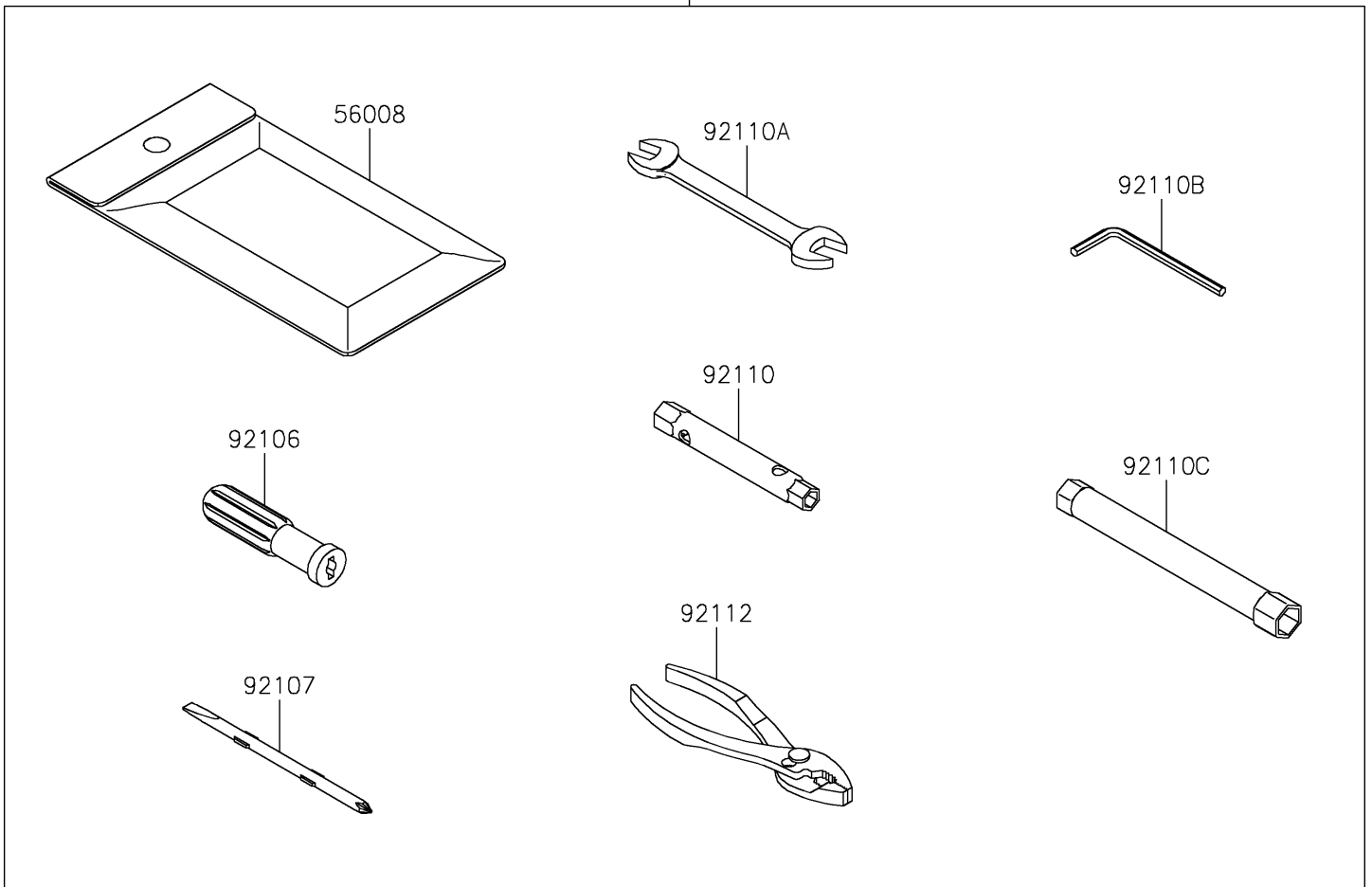
2024 KLR[®] 650

PARTS DIAGRAM

Owner's Tools

F2810

56007



2024 KLR[®] 650

PARTS LIST

Owner's Tools

ITEM NAME

PART NUMBER

QUANTITY
