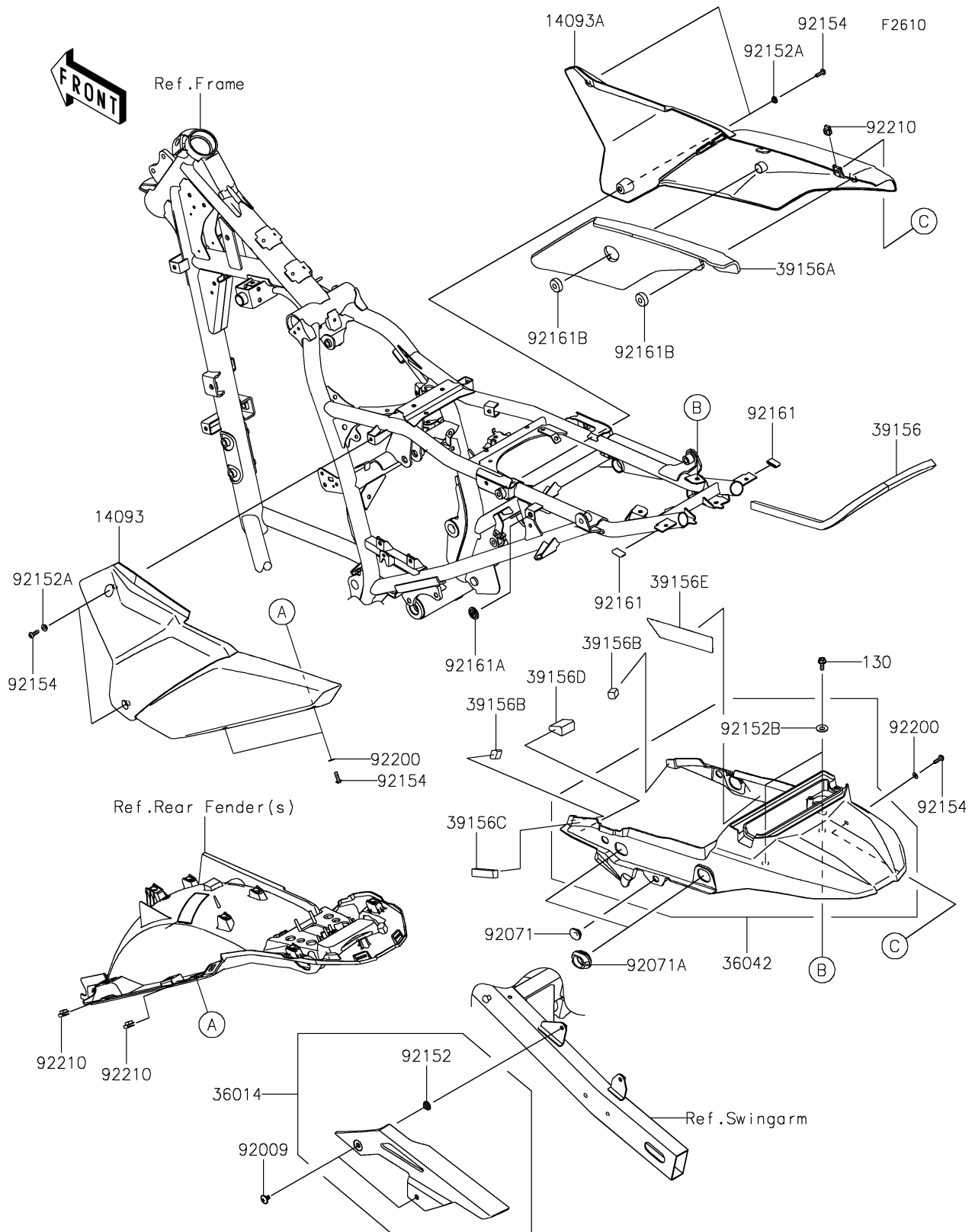


# 2024 KLR® 650

## PARTS DIAGRAM

### Side Covers/Chain Cover



# 2024 KLR<sup>®</sup> 650

## PARTS LIST

### Side Covers/Chain Cover

**ITEM NAME**

**PART NUMBER**

**QUANTITY**

---