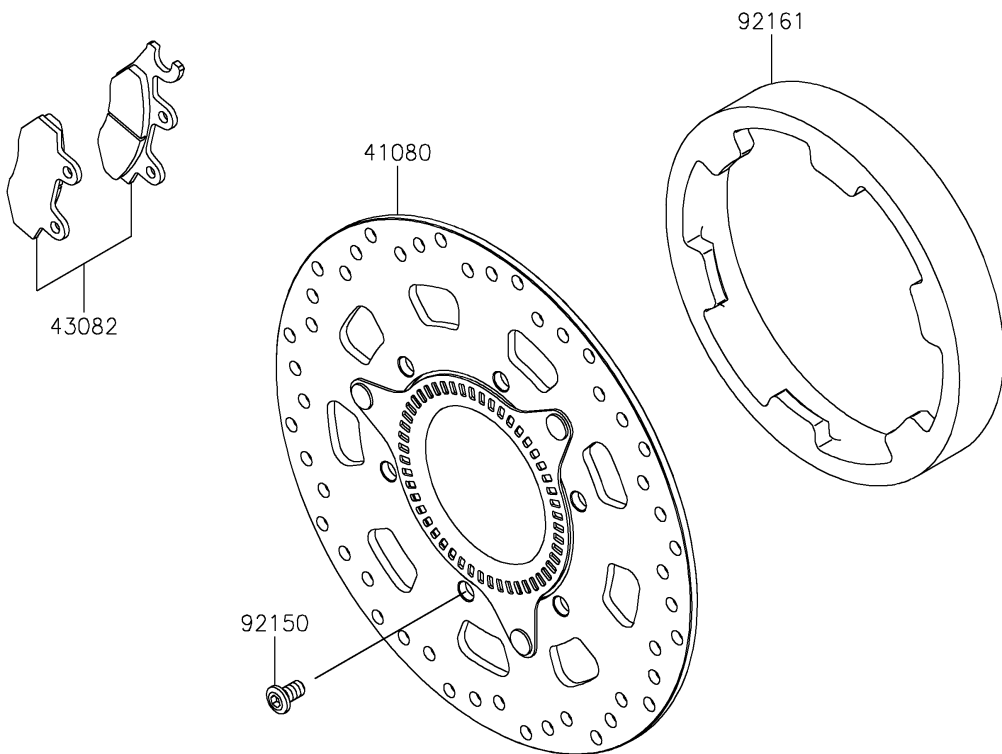
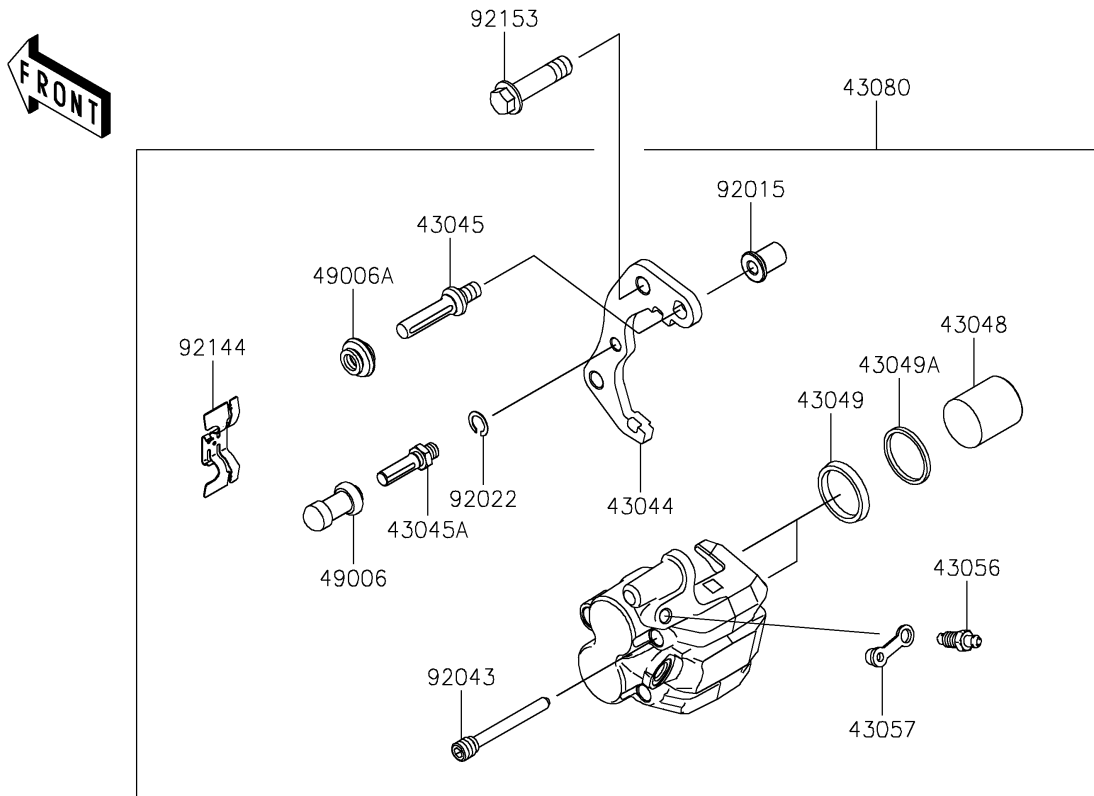


# 2024 KLR<sup>®</sup> 650 ADVENTURE ABS

## PARTS DIAGRAM

### Front Brake

F2292



# 2024 KLR<sup>®</sup> 650 ADVENTURE ABS

## PARTS LIST

### Front Brake

ITEM NAME	PART NUMBER	QUANTITY
-----------	-------------	----------

---