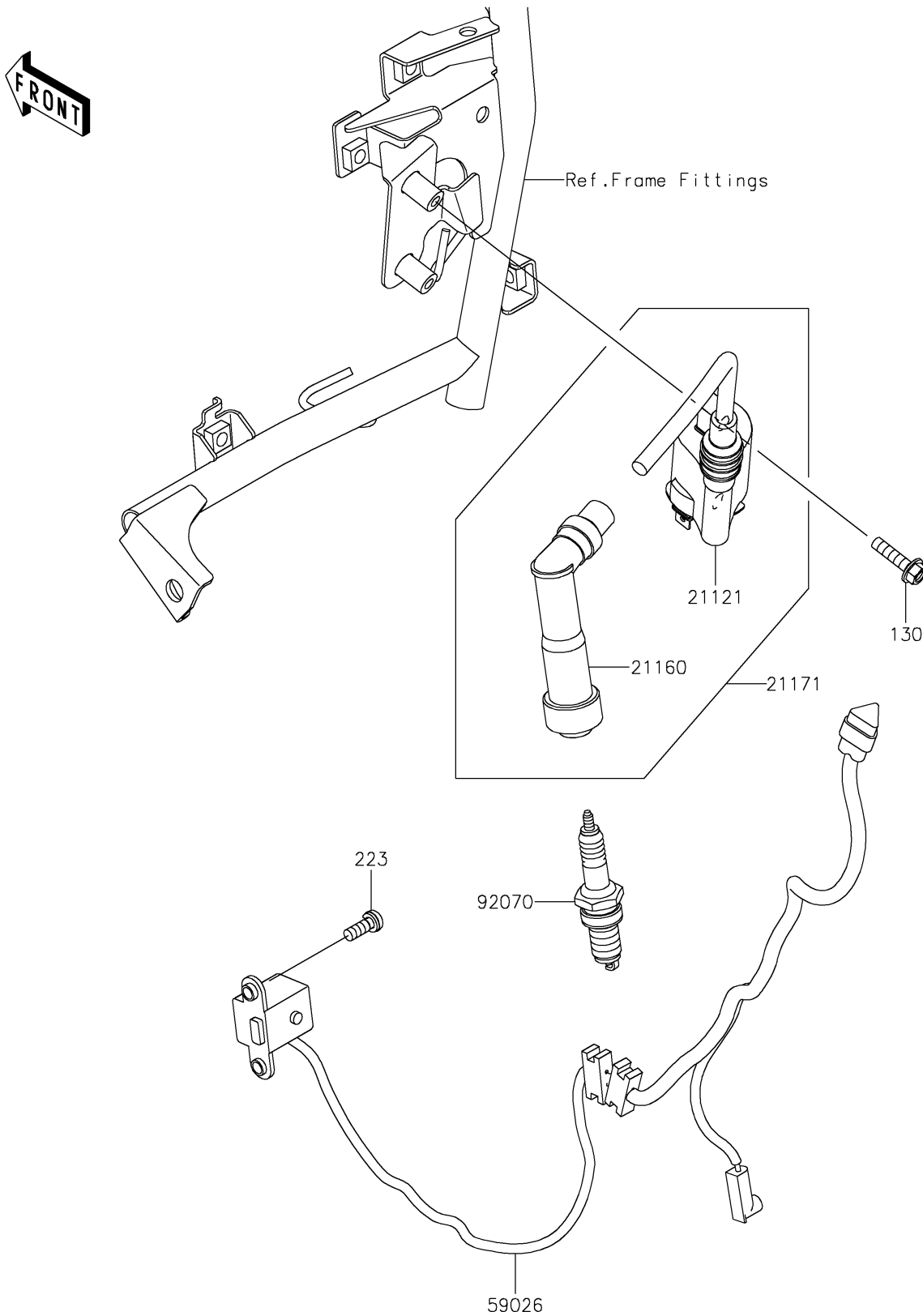


# 2025 KLR650 Adventure ABS

## PARTS DIAGRAM

### Ignition System

E1830



# 2025 KLR650 Adventure ABS

## PARTS LIST

### Ignition System

| ITEM NAME | PART NUMBER | QUANTITY |
|-----------|-------------|----------|
|-----------|-------------|----------|

---