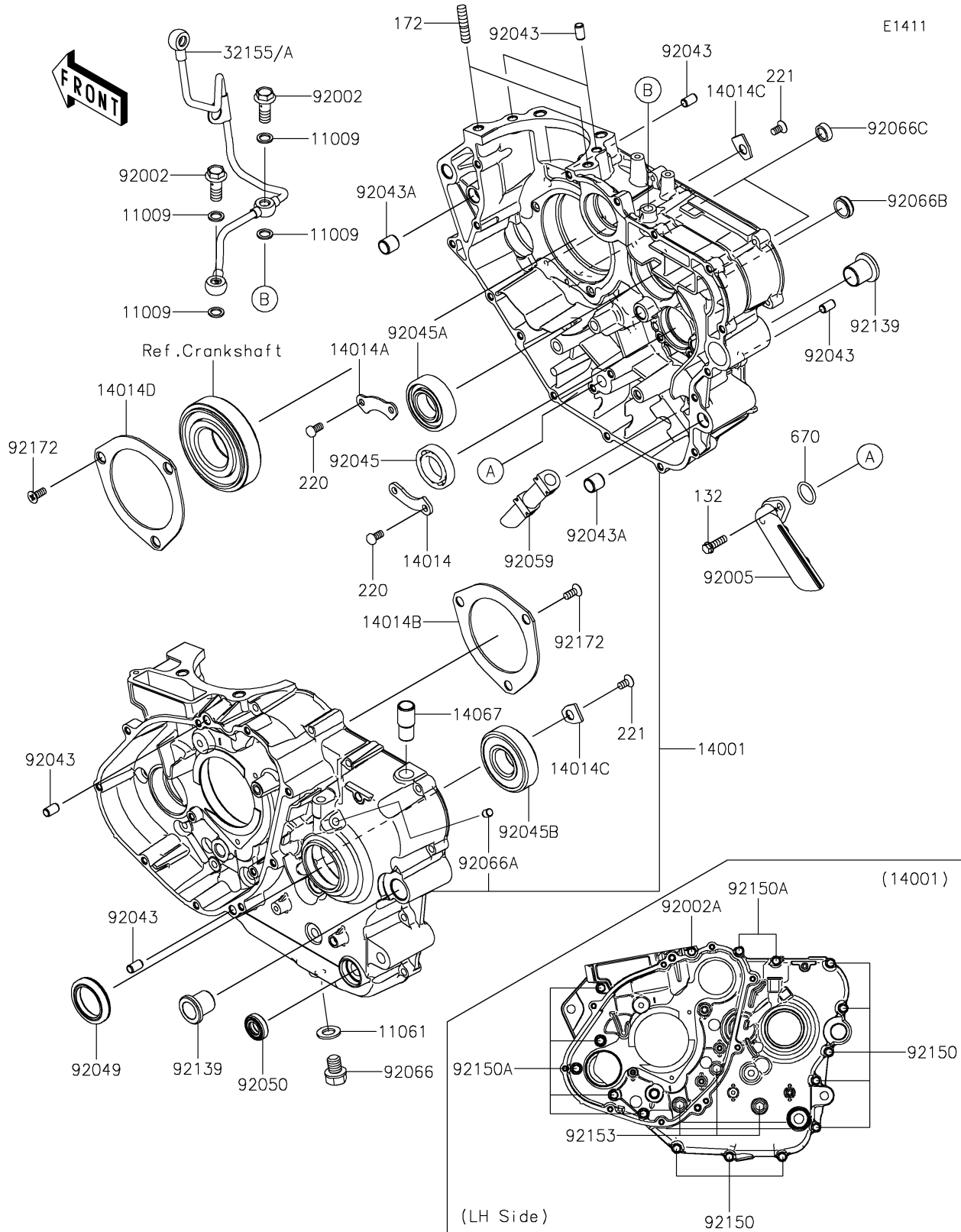


2025 KLR650 Adventure ABS

PARTS DIAGRAM

Crankcase



2025 KLR650 Adventure ABS

PARTS LIST

Crankcase

| ITEM NAME | PART NUMBER | QUANTITY |
|-----------|-------------|----------|
|-----------|-------------|----------|
