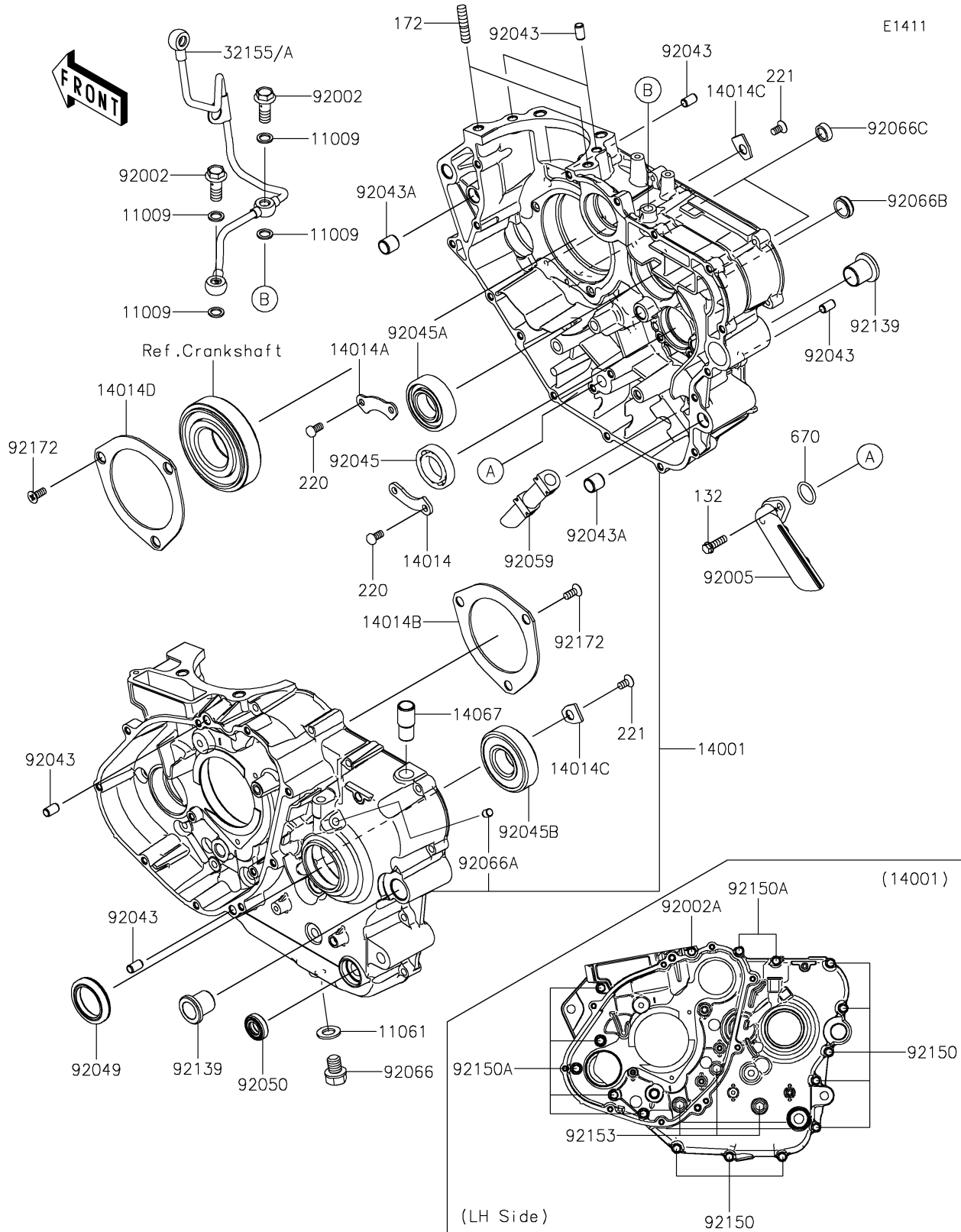


# 2025 KLR650 Adventure ABS

## PARTS DIAGRAM

### Crankcase



# 2025 KLR650 Adventure ABS

## PARTS LIST

### Crankcase

ITEM NAME	PART NUMBER	QUANTITY
-----------	-------------	----------

---